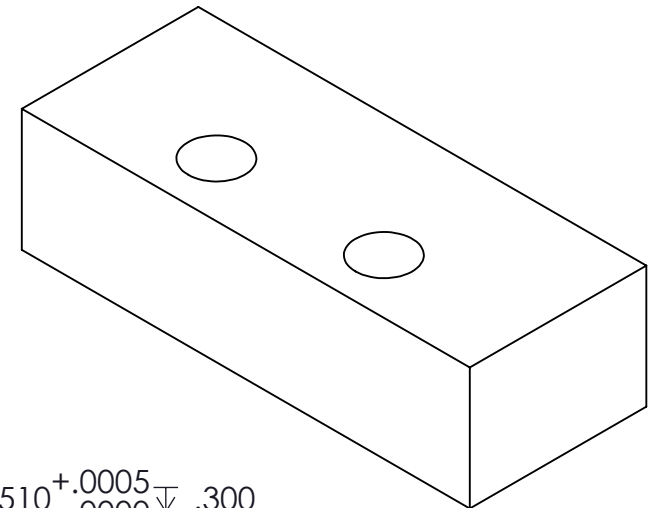


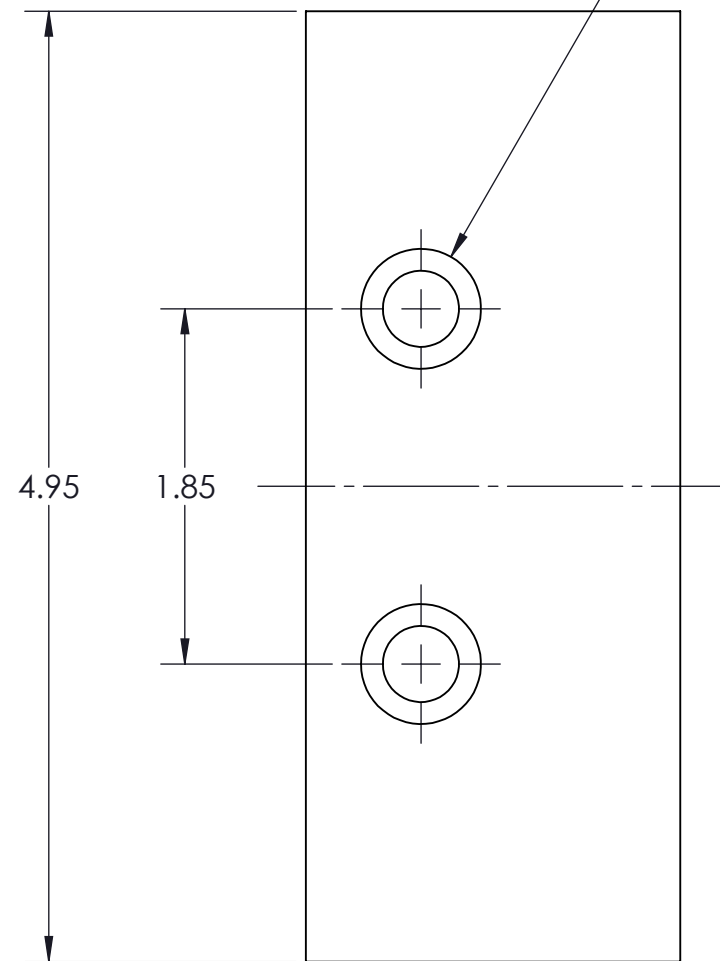
MATERIAL:
VAJ52: 6061 ALUMINUM
VSJ52: 1018 STEEL

VAJ52 VSJ52

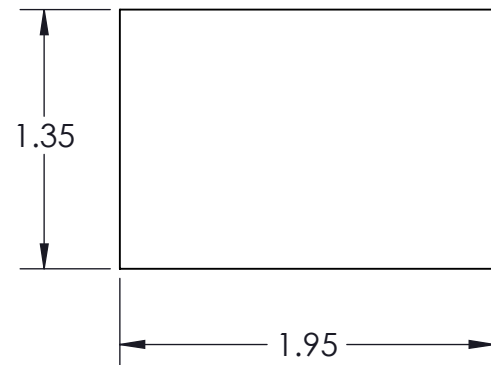
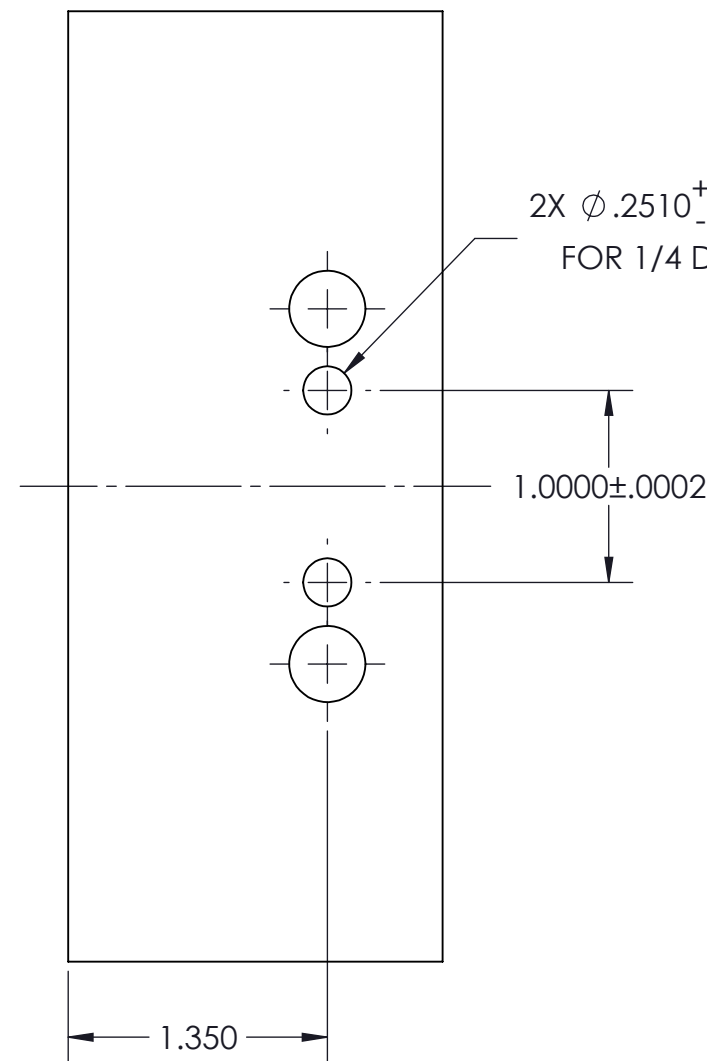
FITS V552 AND V562



2X $\phi .397$ THRU
 $\phi .625 \nabla 1.00$
FOR 3/8 SHCS



2X $\phi .2510^{+.0005}_{-.0000} \nabla .300$
FOR 1/4 DOWEL PIN



INCH <small>DRAWN IN ACCORDANCE WITH ASME Y14.5-2009</small> PROPRIETARY AND CONFIDENTIAL <small>THE INFORMATION CONTAINED IN THIS DRAWING IS THE SOLE PROPERTY OF FIFTH AXIS, INC. ANY REPRODUCTION IN PART OR AS A WHOLE WITHOUT THE WRITTEN PERMISSION OF FIFTH AXIS, INC. IS PROHIBITED.</small>	TOLERANCES <small>UNLESS OTHERWISE SPECIFIED</small> X ± 0.1 .XX ± 0.01 .X ± 0.05 .XXX ± 0.005 ANGULAR ± 0.5°		WWW.FIFTHAXIS.COM 7140 ENGINEER ROAD SAN DIEGO, CA 92111 P (858) 505-0432 F (858) 505-9344
	<small>THIRD ANGLE PROJECTION</small> 		
SIZE B	PART NO. VAJ52/VSJ52	REV	DO NOT SCALE DRAWING SCALE 1:1 WEIGHT: SHEET 1 OF 1