

8

7

6

5

4

3

2

1

D

D

C

C

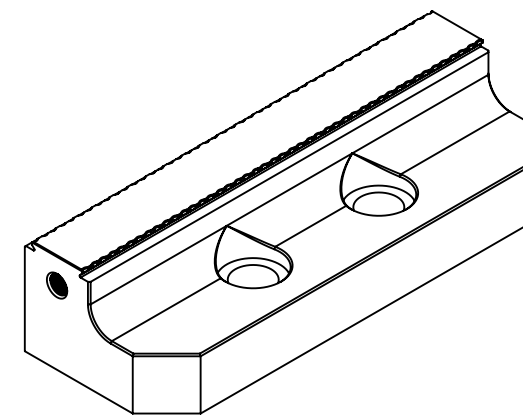
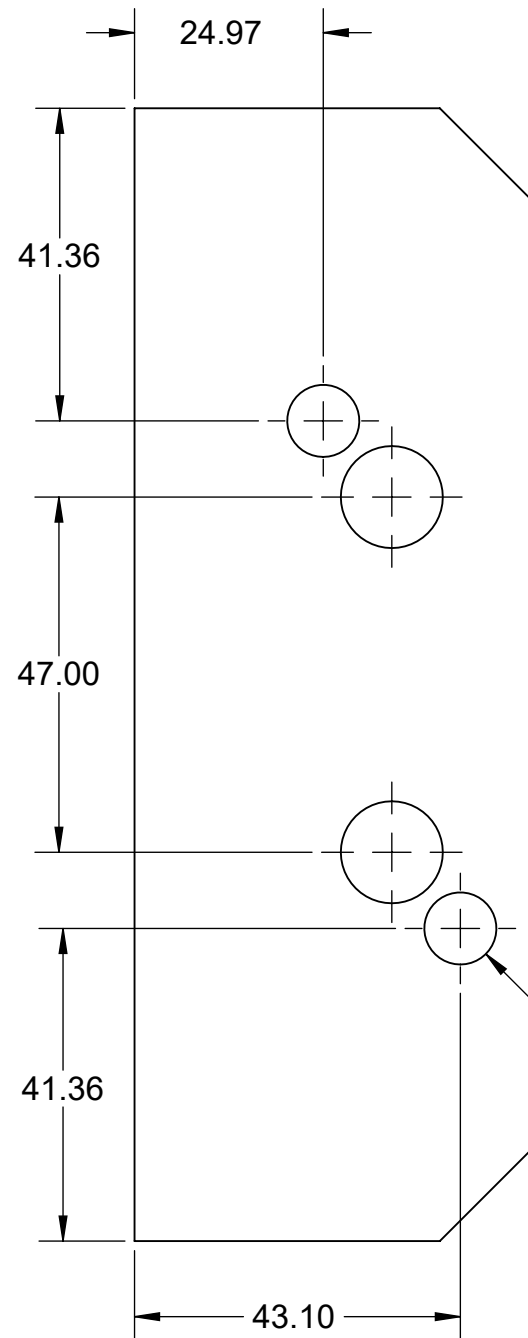
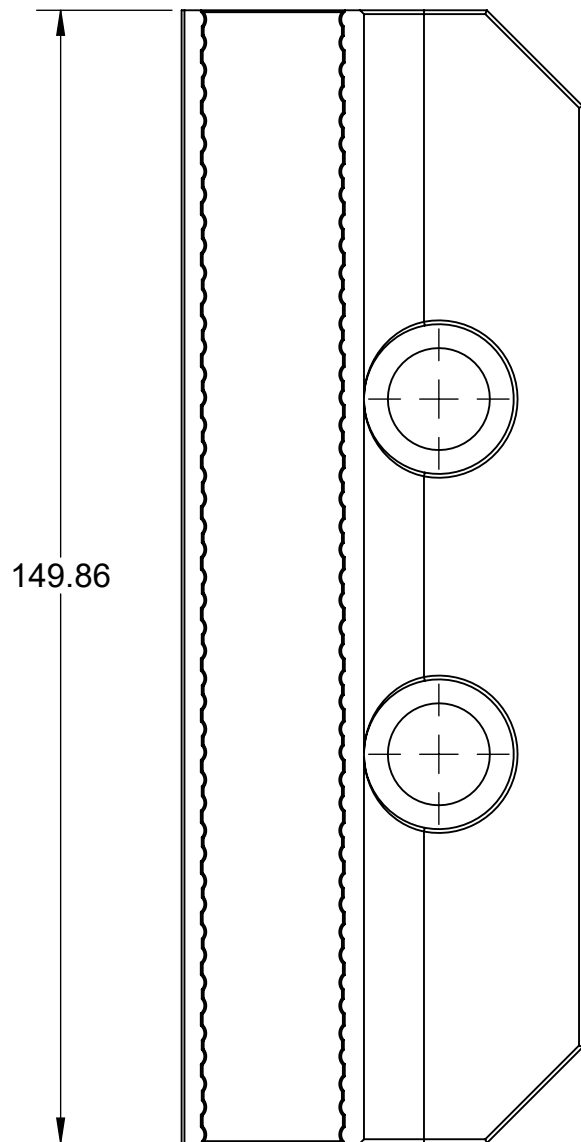
B

B

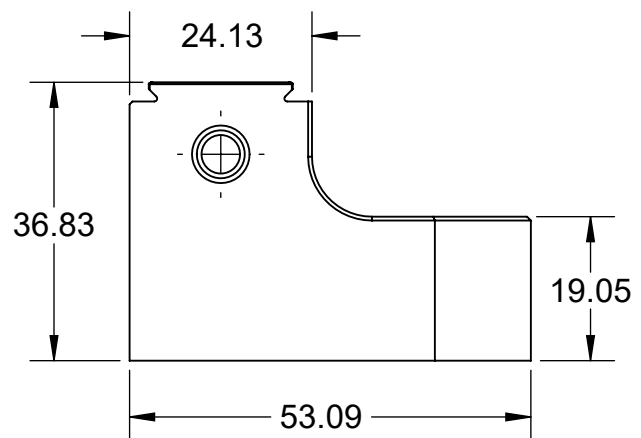
A


A

V6105-5



2X \varnothing 9.54 \pm 0.01 ∇ 10.16



MILLIMETER		TOLERANCES UNLESS OTHERWISE SPECIFIED			
DRAWN IN ACCORDANCE WITH ASME Y14.5-2009		x \pm 0.1 .xx \pm 0.01 .x \pm 0.05 .xxx \pm 0.005 ANGULAR \pm 0.5°			
WWW.5THAXIS.COM		THIRD ANGLE PROJECTION		DESCRIPTION REPLACEMENT MASTER JAW	
7140 ENGINEER ROAD SAN DIEGO, CA 92111		SIZE B	PART NO. V6105-5	REV A	
P (858) 505-0432 F (858) 505-9344		DO NOT SCALE DRAWING		SCALE 1:1	WEIGHT:
				SHEET 1 OF 1	

8

7

6

5

4

3

2

1