

8

7

6

5

4

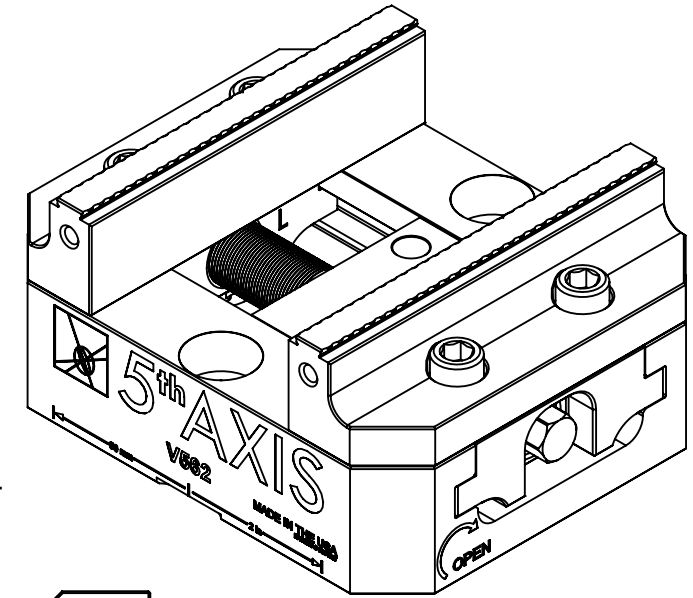
3

2

1

| TECHNICAL DATA | V562 |
|--------------------------------|--|
| JAW WIDTH | 4.95" (125.73mm) |
| BASE LENGTH | 6.00" (152.40mm) |
| MAXIMUM TORQUE (JAW BOLT) | 35 ft-lb (47.45 Nm) |
| CLAMPING FORCE | 4400 lbf @ 55 ft-lb (19.57kN @ 74.57 Nm) |
| MAXIMUM TORQUE (LEADSCREW) | 55 ft-lb (74.57 Nm) |
| MAXIMUM TORQUE (MOUNTING BOLT) | 35 ft-lb (47.45 Nm) |
| SELF-CENTERING ACCURACY | ± 0.0005" (± 12.7µm) |

V562



D

D

C

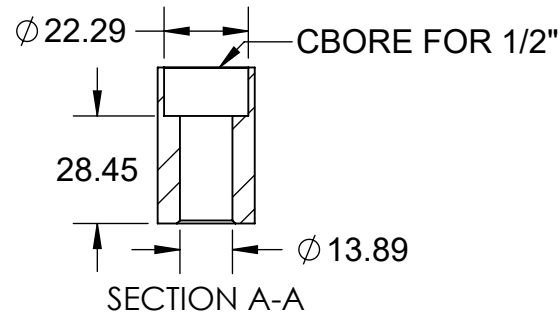
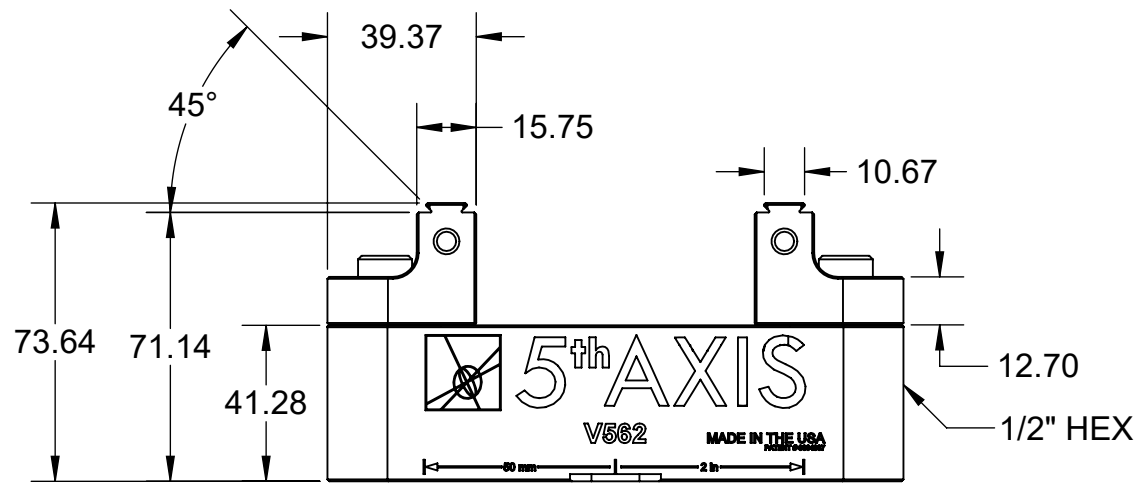
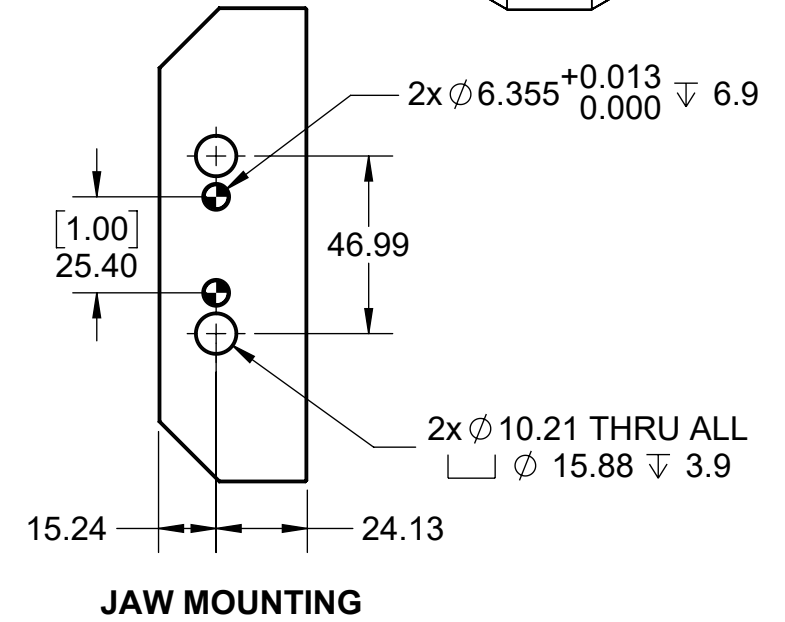
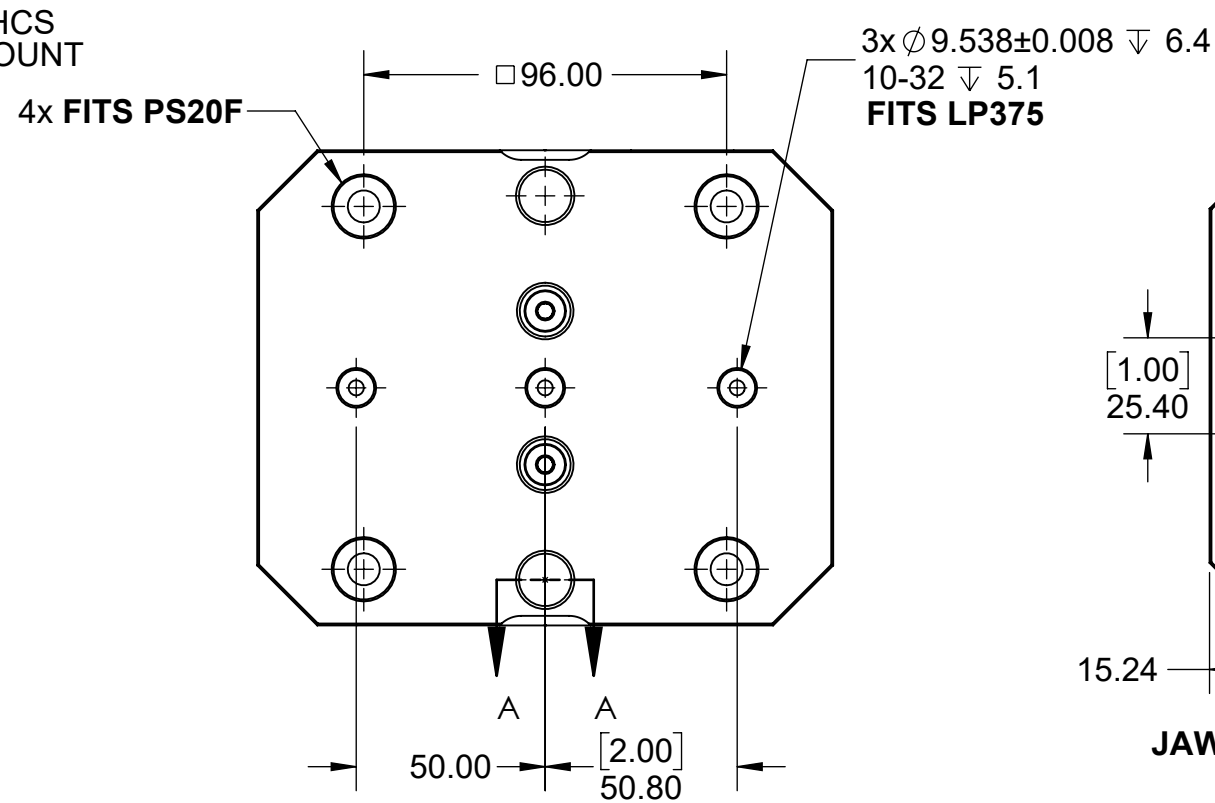
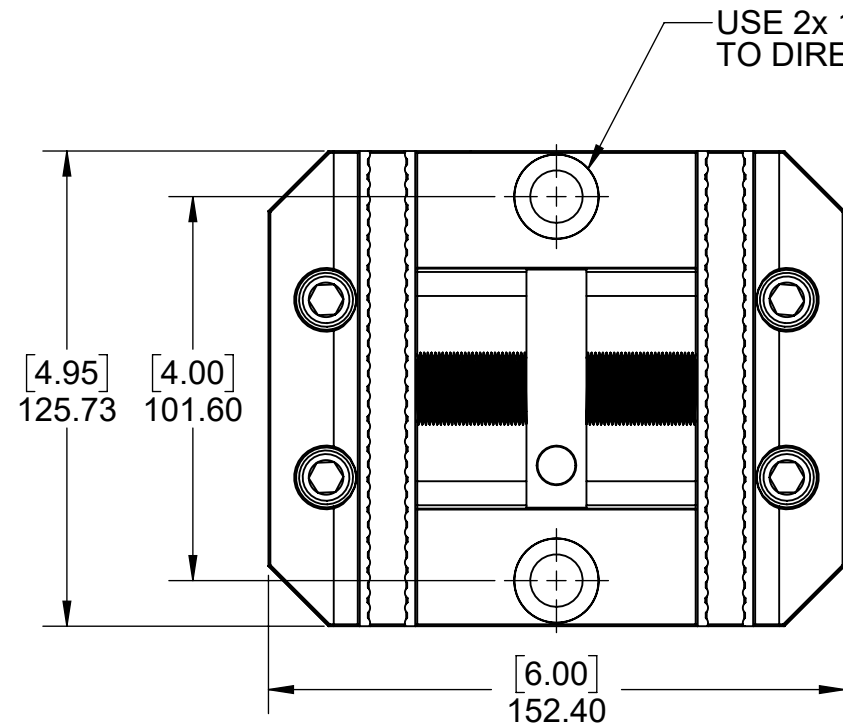
C


B

B

A

A



| | | | | |
|---|---|---|--------------------------------|------------------------|
| MILLIMETER <small>DRAWN IN ACCORDANCE WITH ASME Y14.5-2009</small> <small>WWW.5THAXIS.COM</small> <small>7140 ENGINEER ROAD SAN DIEGO, CA 92111</small> <small>P (858) 505-0432 F (858) 505-9344</small> | TOLERANCES <small>UNLESS OTHERWISE SPECIFIED</small> x ± 0.1 .xx ± 0.01 .x ± 0.05 .xxx ± 0.005 ANGULAR ± 0.5° <small>THIRD ANGLE PROJECTION</small> |  | | |
| | | DESCRIPTION SELF-CENTERING VISE | | |
| | | SIZE B | PART NO. V562 | REV A |
| DO NOT SCALE DRAWING | | SCALE 1:2 | WEIGHT: | SHEET 1 OF 3 |

8

7

6

5

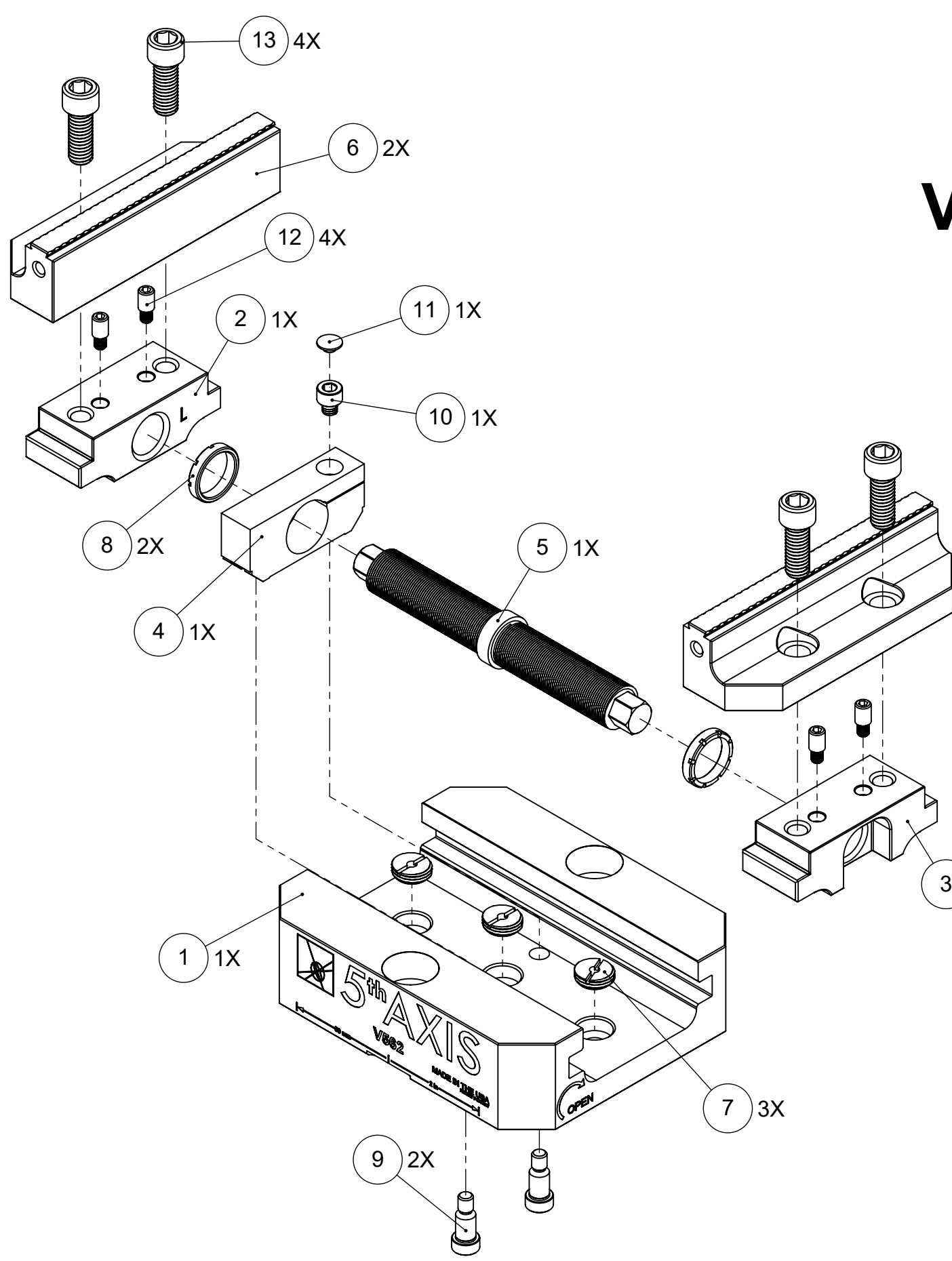
4

3

2


1

V562



| ITEM NO. | PART NUMBER | DESCRIPTION | QTY. |
|----------|-------------|--------------------------|------|
| 1 | V562-1 | BASE | 1 |
| 2 | V56124-2L | LEFT TRUCK | 1 |
| 3 | V56124-2R | RIGHT TRUCK | 1 |
| 4 | V562MX-3 | CENTER BLOCK | 1 |
| 5 | V56124-4 | LEAD SCREW | 1 |
| 6 | V56124-5 | JAW | 2 |
| 7 | TIS-58 | THREADED INSERT | 3 |
| 8 | V56124-6 | CENTER BLOCK RING | 2 |
| 9 | SB6VX | SHOULDER BOLT | 2 |
| 10 | 91290A310 | SOCKET HEAD CAP SCREW | 1 |
| 11 | M6C | PLASTIC PLUG | 1 |
| 12 | LP250 | LOCATING PIN | 4 |
| 13 | 91251A624 | SOCKET HEAD CAP SCREW | 4 |
| 14 | ANTI-SEIZE | ANTI-SEIZE (NOT SHOWN) | 1 |
| 15 | LP375 | LOCATING PIN (NOT SHOWN) | 2 |
| 16 | TS12 | THUMB SCREW (NOT SHOWN) | 1 |

FOR REFERENCE ONLY - NOT FOR RESALE

| | | | | | |
|--|--|---|-----------|---------|--------------|
| MILLIMETER <small>DRAWN IN ACCORDANCE WITH ASME Y14.5-2009</small> WWW.5THAXIS.COM 7140 ENGINEER ROAD SAN DIEGO, CA 92111 P (858) 505-0432 F (858) 505-9344 | TOLERANCES <small>UNLESS OTHERWISE SPECIFIED</small> x ± 0.1 .xx ± 0.01 .x ± 0.05 .xxx ± 0.005 ANGULAR ± 0.5° THIRD ANGLE PROJECTION |  | | | |
| | | DESCRIPTION SELF-CENTERING VISE | | | |
| SIZE B PART NO. V562 REV A | | DO NOT SCALE DRAWING | SCALE 1:2 | WEIGHT: | SHEET 2 OF 3 |

8

7

6

5

4

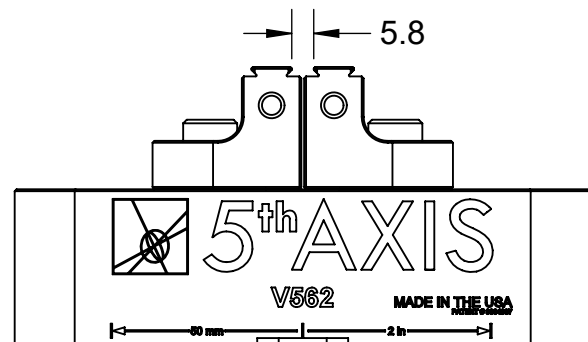
3

2

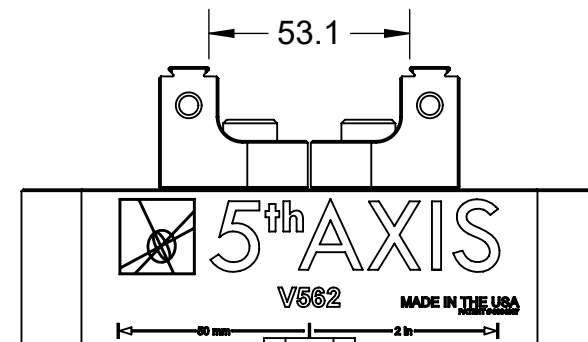
1

NOTE: USING DOVETAIL ALLOWS VISE TO CLAMP LARGER PART.
BELOW CLAMPING RANGE ONLY SHOWS THE CAPABILITY OF THE GRIPPER TEETH.

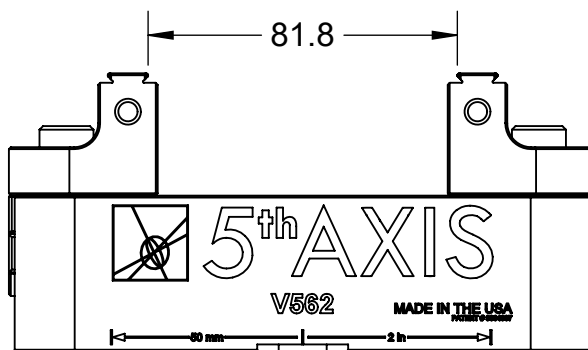
V562



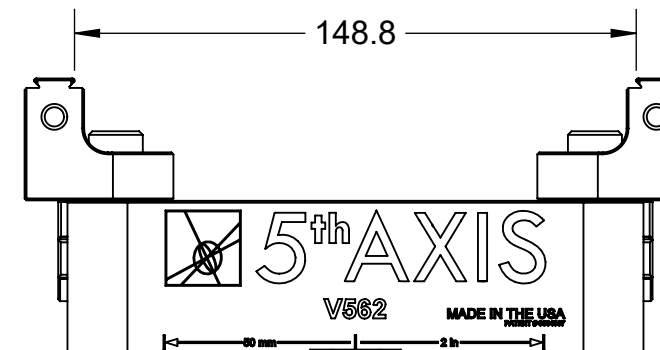
FORWARD JAWS (MINIMUM CLAMPING RANGE)




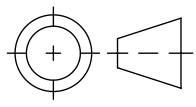
REVERSE JAWS (MINIMUM CLAMPING RANGE)



FORWARD JAWS (MAXIMUM CLAMPING RANGE)



REVERSE JAWS (MAXIMUM CLAMPING RANGE)

| | | | | |
|--|---|---|--------------------------------|------------------------|
| MILLIMETER <small>DRAWN IN ACCORDANCE WITH ASME Y14.5-2009</small> | TOLERANCES <small>UNLESS OTHERWISE SPECIFIED</small> x ± 0.1 .xx ± 0.01 .x ± 0.05 .xxx ± 0.005 ANGULAR ± 0.5° <small>THIRD ANGLE PROJECTION</small> |  | | |
| | | DESCRIPTION SELF-CENTERING VISE | | |
| WWW.5THAXIS.COM 7140 ENGINEER ROAD SAN DIEGO, CA 92111 P (858) 505-0432 F (858) 505-9344 |  | SIZE B | PART NO. V562 | REV A |
| DO NOT SCALE DRAWING | | SCALE 1:2 | WEIGHT: | SHEET 3 OF 3 |

8

7

6

5

4

3

2

1