

8

7

6

5

4

3

2

1

D

D

C

C

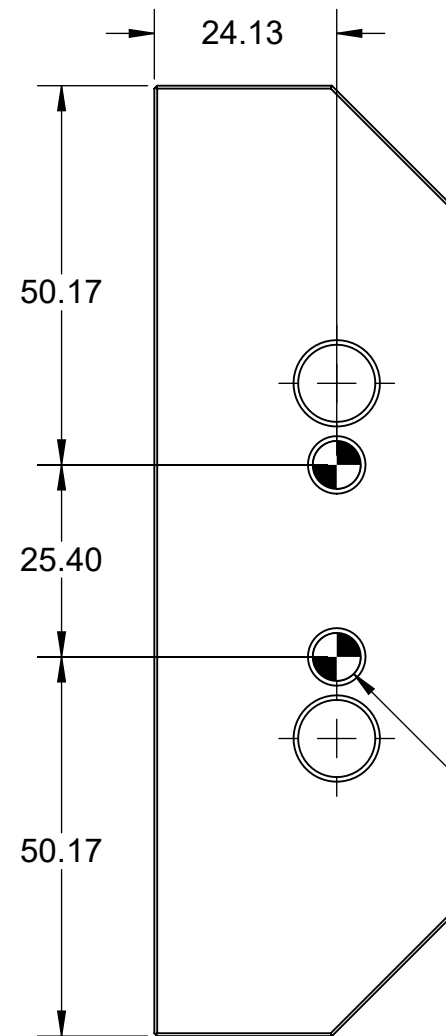
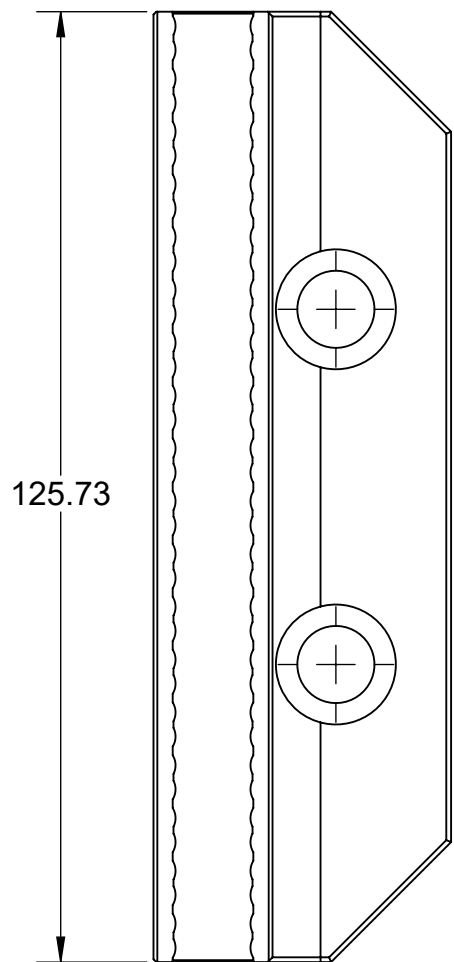
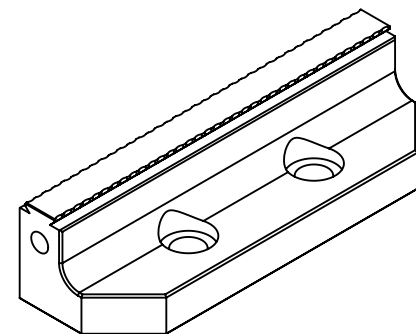
B

B

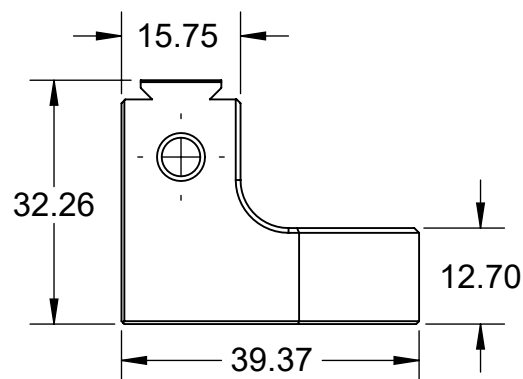
A


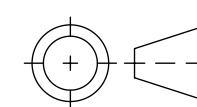
A

# V56124-5



2X  $\phi$  6.36<sup>+0.01</sup><sub>0.00</sub>  $\nabla$  6.86  
 $\surd$   $\phi$  7.62 X 90°, NEAR SIDE



<b>MILLIMETER</b>		<b>TOLERANCES</b> UNLESS OTHERWISE SPECIFIED			
DRAWN IN ACCORDANCE WITH ASME Y14.5-2009		x ± 0.1    .xx ± 0.01 .x ± 0.05    .xxx ± 0.005 ANGULAR ± 0.5° THIRD ANGLE PROJECTION			
WWW.5THAXIS.COM		7140 ENGINEER ROAD SAN DIEGO, CA 92111		DESCRIPTION <b>REPLACEMENT MASTER JAW</b>	
P (858) 505-0432 F (858) 505-9344				SIZE <b>B</b>	PART NO. <b>V56124-5</b>
DO NOT SCALE DRAWING		SCALE 1:1	WEIGHT:	REV <b>A</b>	
SHEET 1 OF 1					

8

7

6

5

4

3

2

1