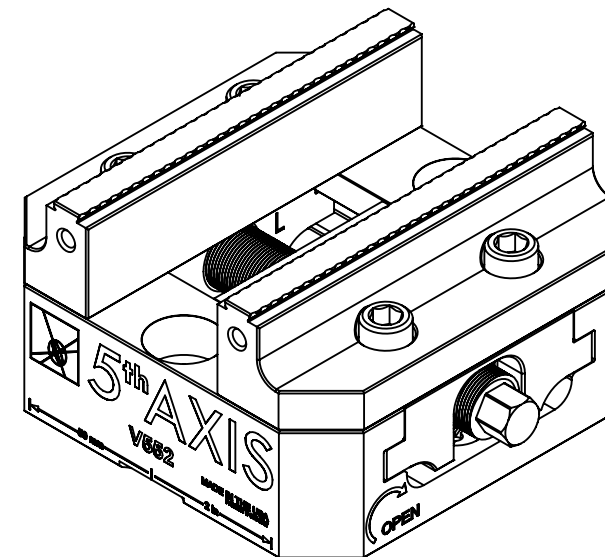


8 7 6 5 4 3 2 1

TECHNICAL DATA	V552
JAW WIDTH	4.95" (125.73mm)
BASE LENGTH	5.00" (127.00mm)
MAXIMUM TORQUE (JAW BOLT)	35 ft-lb (47.45 Nm)
CLAMPING FORCE	4400 lbf @ 55 ft-lb (19.57kN @ 74.57 Nm)
MAXIMUM TORQUE (LEADSCREW)	55 ft-lb (74.57 Nm)
MAXIMUM TORQUE (MOUNTING BOLT)	35 ft-lb (47.45 Nm)
SELF-CENTERING ACCURACY	± 0.0005" (± 12.7µm)

# V552



D

D

C

C

B

B

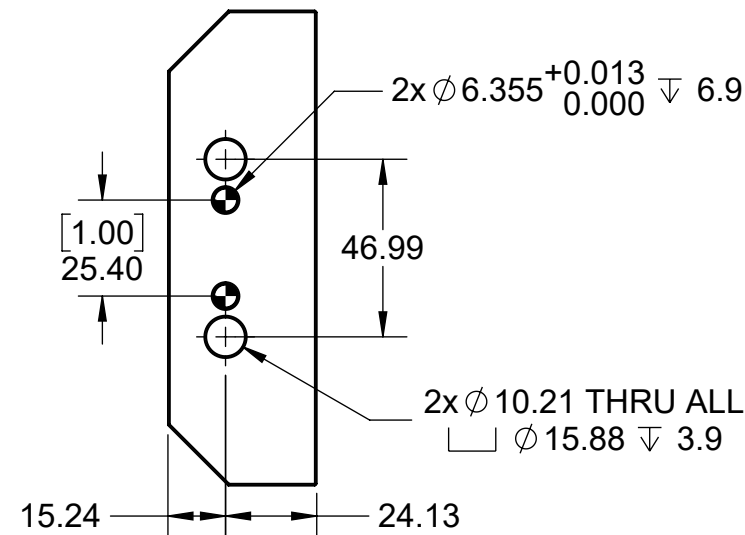
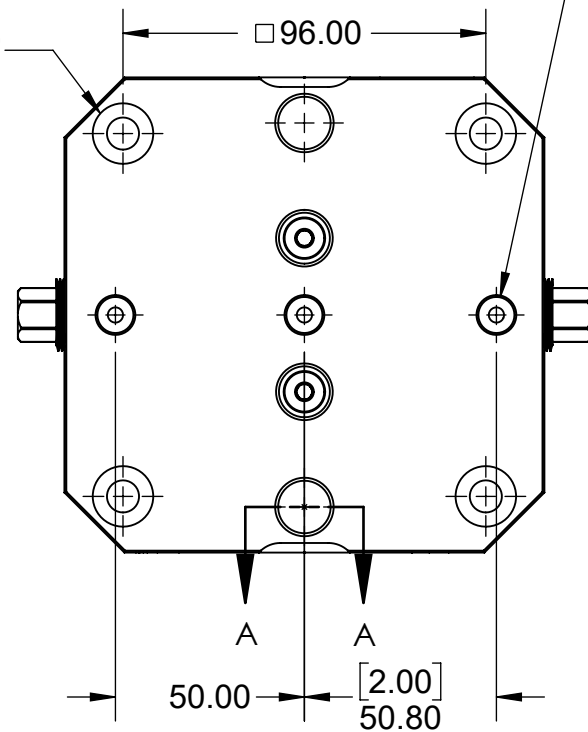
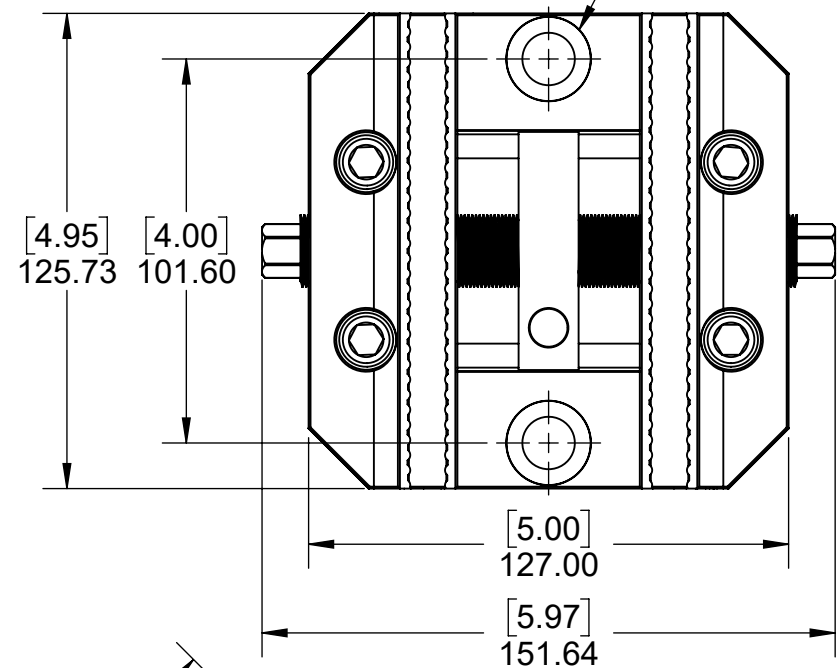
A

A

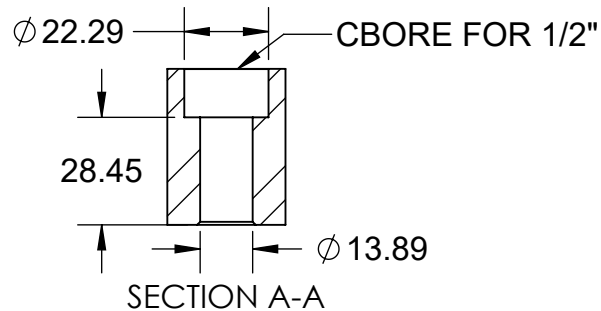
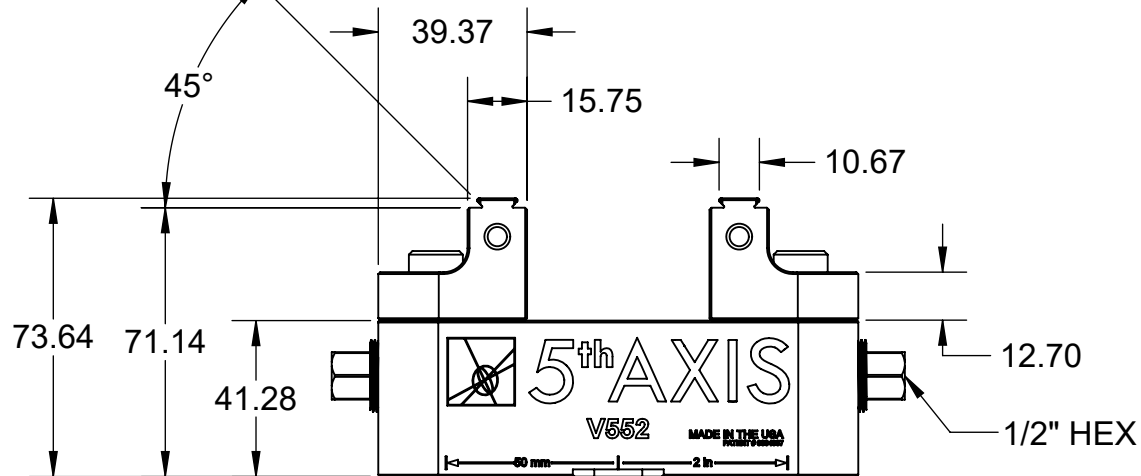
USE 2x 1/2" SHCS TO DIRECT MOUNT

4x FITS PS20F

3x  $\phi 9.538 \pm 0.008 \nabla 6.4$   
 10-32  $\nabla 5.1$   
 FITS LP375



JAW MOUNTING



MILLIMETER	TOLERANCES UNLESS OTHERWISE SPECIFIED
DRAWN IN ACCORDANCE WITH ASME Y14.5-2009	x ± 0.1 .xx ± 0.01
WWW.5THAXIS.COM	.x ± 0.05 .xxx ± 0.005
7140 ENGINEER ROAD SAN DIEGO, CA 92111	ANGULAR ± 0.5°
P (858) 505-0432 F (858) 505-9344	THIRD ANGLE PROJECTION



DESCRIPTION		SELF-CENTERING VISE	
SIZE	PART NO.	REV	
B	V552	A	
DO NOT SCALE DRAWING	SCALE 1:2	WEIGHT:	SHEET 1 OF 3

8 7 6 5 4 3 2 1

8

7

6

5

4

3

2

1

D

D

C

C

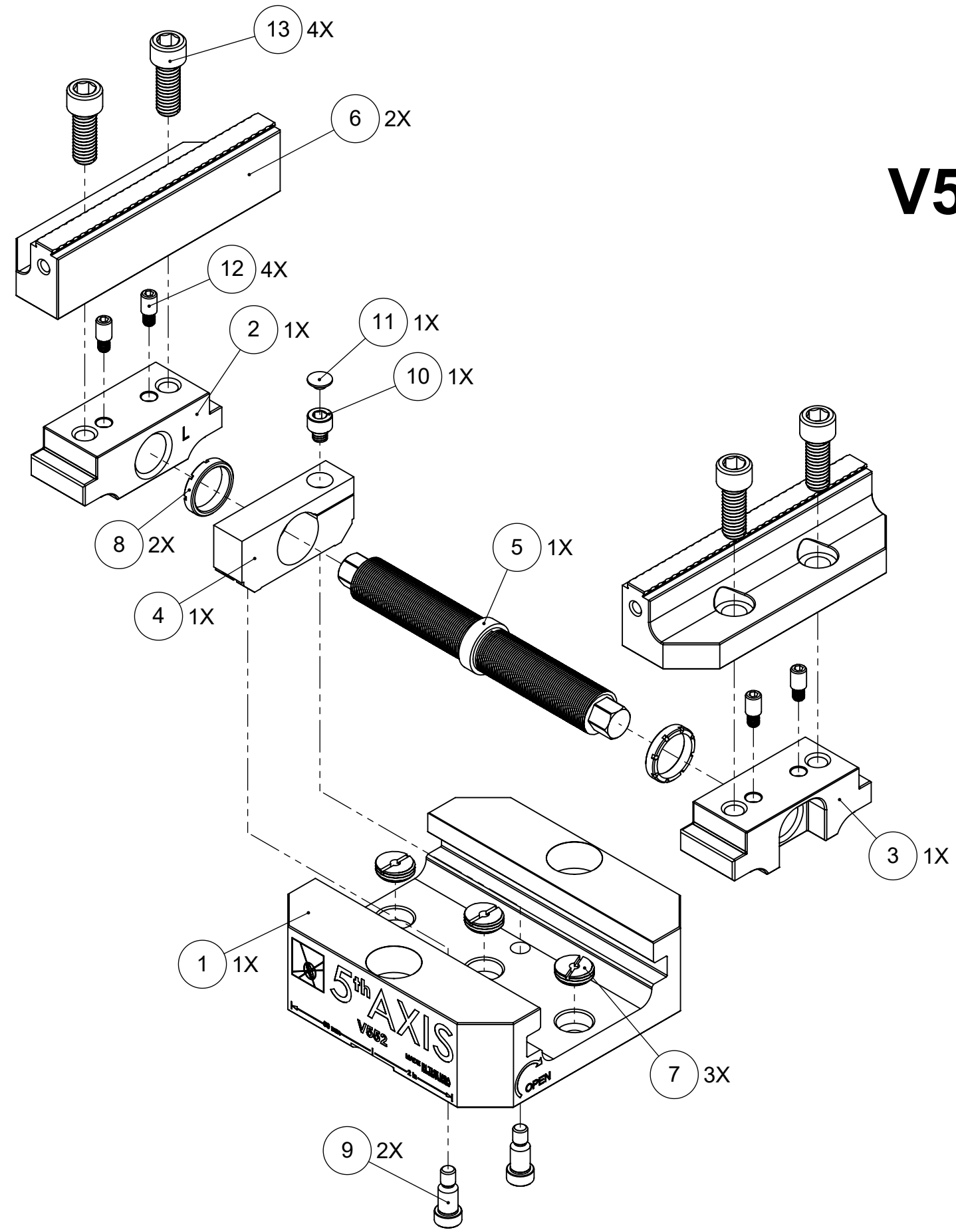
B

B

A

A

# V552



ITEM NO.	PART NUMBER	DESCRIPTION	QTY.
1	V552-1	BASE	1
2	V56124-2L	LEFT TRUCK	1
3	V56124-2R	RIGHT TRUCK	1
4	V562MX-3	CENTER BLOCK	1
5	V56124-4	LEAD SCREW	1
6	V56124-5	JAW	2
7	TIS-58	THREADED INSERT	3
8	V56124-6	CENTER BLOCK RING	2
9	SB5VX	SHOULDER BOLT	2
10	91290A310	SOCKET HEAD CAP SCREW	1
11	M6C	PLASTIC PLUG	1
12	LP250	LOCATING PIN	4
13	91251A624	SOCKET HEAD CAP SCREW	4
14	ANTI-SEIZE	ANTI-SEIZE (NOT SHOWN)	1
15	LP375	LOCATING PIN (NOT SHOWN)	2
16	TS12	THUMB SCREW (NOT SHOWN)	1

**FOR REFERENCE ONLY - NOT FOR RESALE**

<b>MILLIMETER</b> <small>DRAWN IN ACCORDANCE WITH ASME Y14.5-2009</small>  WWW.5THAXIS.COM  7140 ENGINEER ROAD SAN DIEGO, CA 92111  P (858) 505-0432 F (858) 505-9344	<b>TOLERANCES</b> <small>UNLESS OTHERWISE SPECIFIED</small> x ± 0.1    .xx ± 0.01 .x ± 0.05    .xxx ± 0.005 ANGULAR ± 0.5° THIRD ANGLE PROJECTION				
		<b>DESCRIPTION</b> <b>SELF-CENTERING VISE</b>			
SIZE <b>B</b> PART NO. <b>V552</b> REV <b>A</b>		DO NOT SCALE DRAWING	SCALE 1:2	WEIGHT:	SHEET 2 OF 3

8

7

6

5

4

3

2

1

8

7

6

5

4

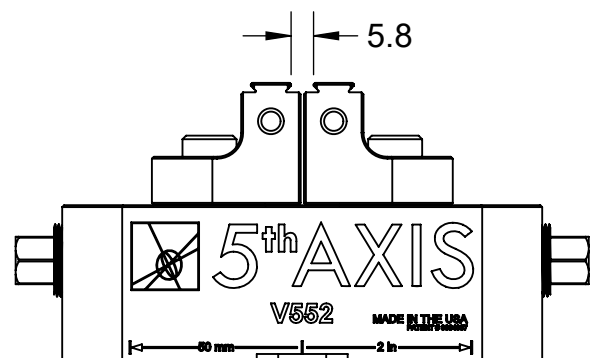
3

2

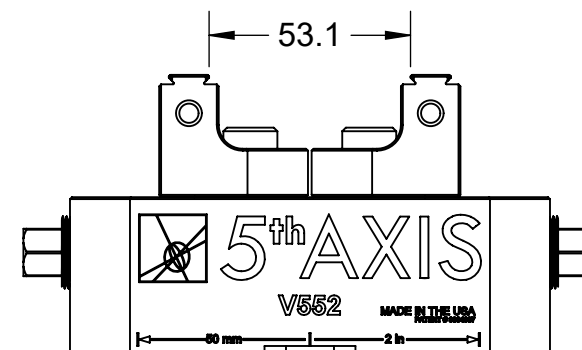
1

**NOTE:** USING DOVETAIL ALLOWS VISE TO CLAMP LARGER PART.  
BELOW CLAMPING RANGE ONLY SHOWS THE CAPABILITY OF THE GRIPPER TEETH.

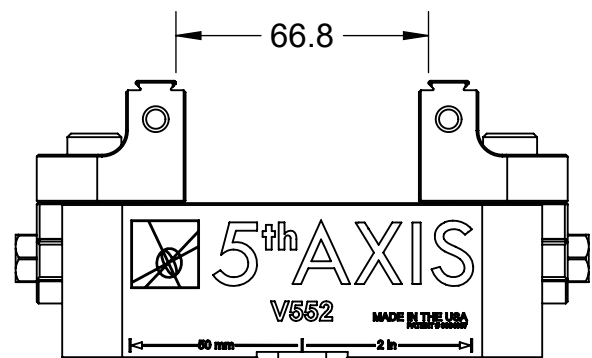
# V552



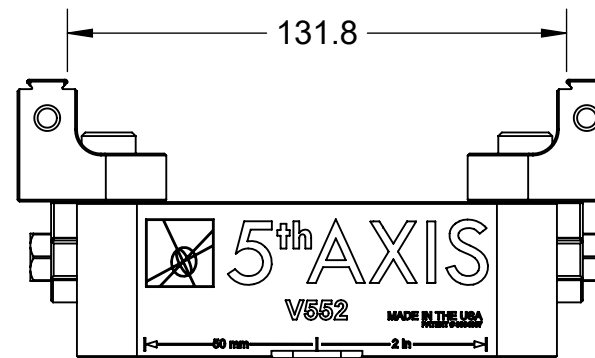
FORWARD JAWS (MINIMUM CLAMPING RANGE)




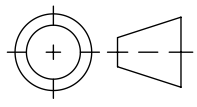
REVERSE JAWS (MINIMUM CLAMPING RANGE)



FORWARD JAWS (MAXIMUM CLAMPING RANGE)



REVERSE JAWS (MAXIMUM CLAMPING RANGE)

<b>MILLIMETER</b> <small>DRAWN IN ACCORDANCE WITH ASME Y14.5-2009</small>	<b>TOLERANCES</b> <small>UNLESS OTHERWISE SPECIFIED</small>				
	<small>x ± 0.1    .xx ± 0.01  .x ± 0.05    .xxx ± 0.005  ANGULAR ± 0.5°  THIRD ANGLE PROJECTION</small>				<b>DESCRIPTION</b> <b>SELF-CENTERING VISE</b>
<a href="http://WWW.5THAXIS.COM">WWW.5THAXIS.COM</a> 7140 ENGINEER ROAD SAN DIEGO, CA 92111 P (858) 505-0432 F (858) 505-9344		<b>SIZE</b> <b>B</b>	<b>PART NO.</b> <b>V552</b>	<b>REV</b> <b>A</b>	
		DO NOT SCALE DRAWING	SCALE 1:2	WEIGHT:	SHEET 3 OF 3

8

7

6

5

4

3

2

1