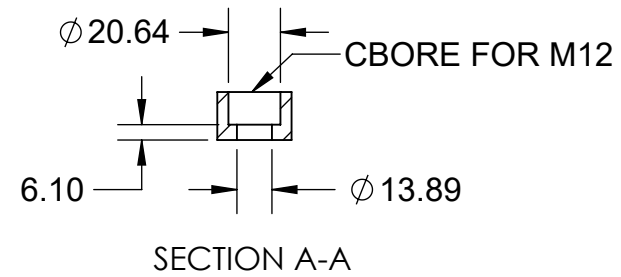
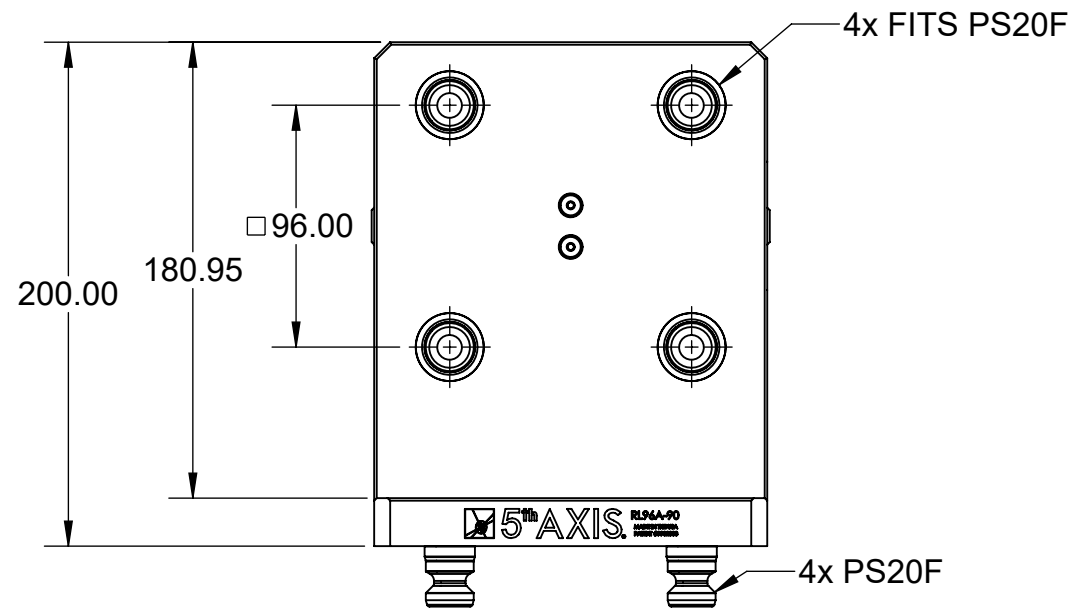
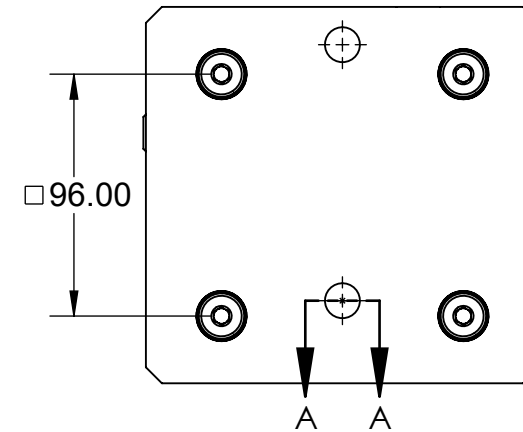
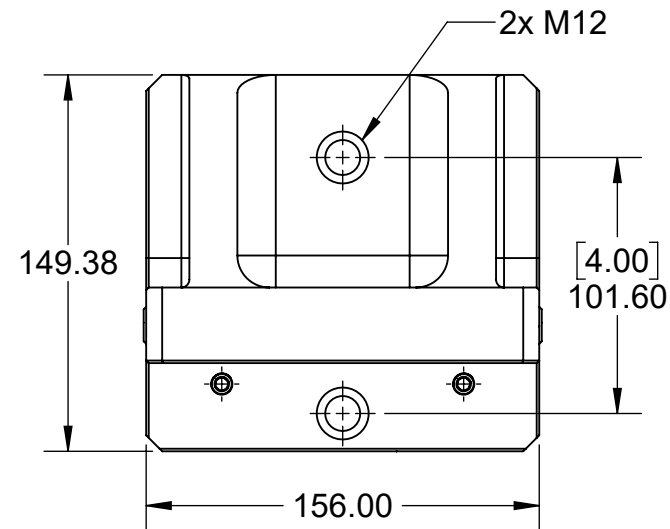
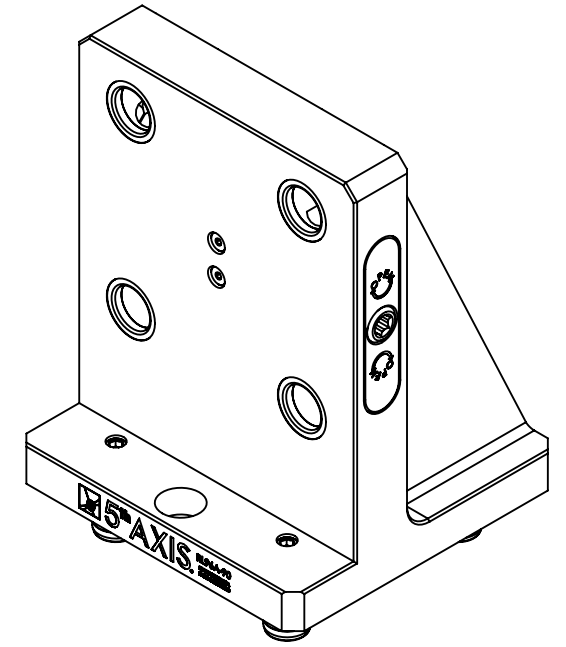


**MATERIAL:**  
**RL96A-90DEG: 6061 ALUMINUM BODY**

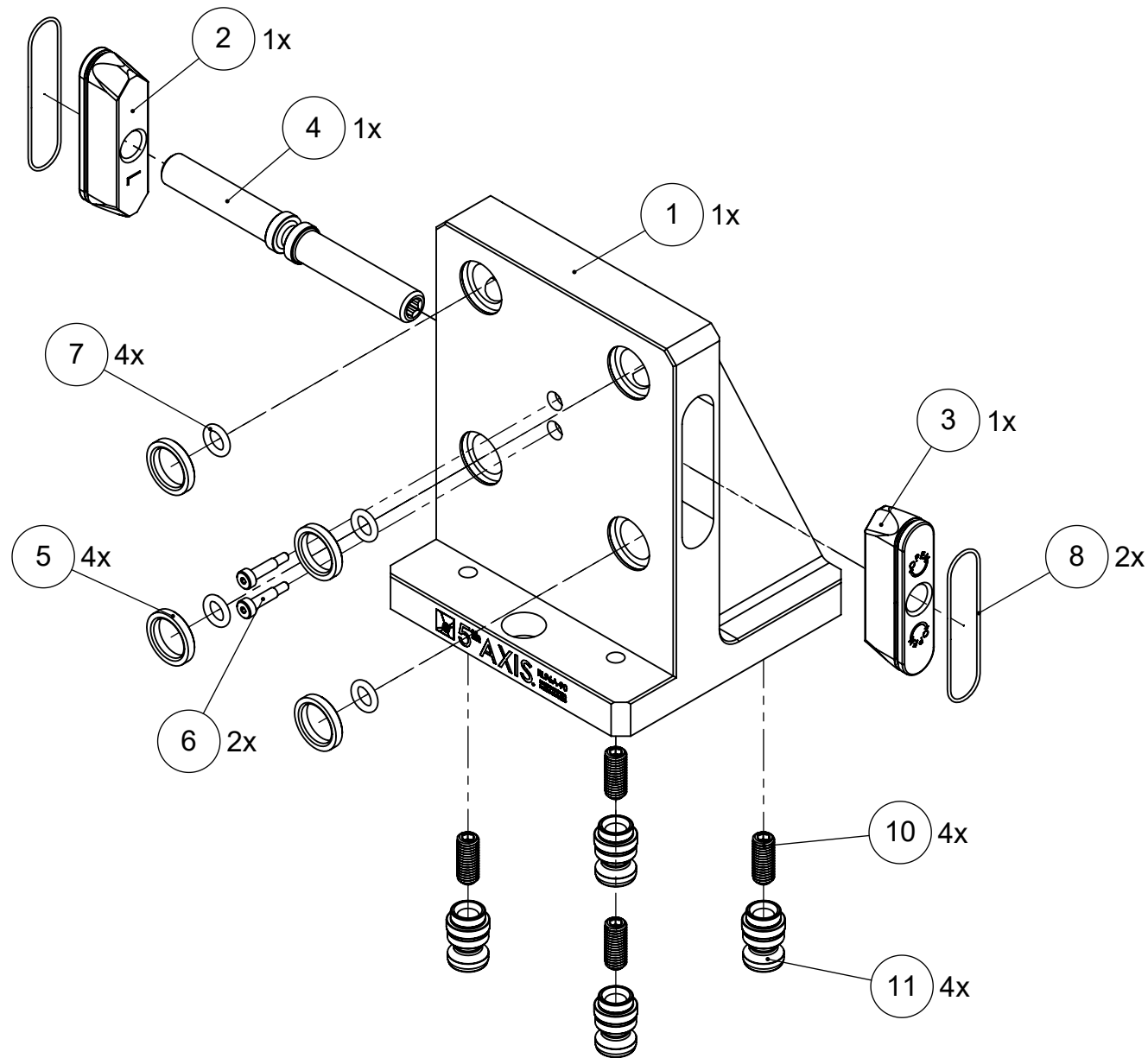
# RL96A-90DEG



<b>MILLIMETER</b> <small>DRAWN IN ACCORDANCE WITH          ASME Y14.5-2009</small>	<b>TOLERANCES</b> <small>UNLESS OTHERWISE SPECIFIED</small> x ± 0.1    .xx ± 0.01 .x ± 0.05    .xxx ± 0.005 ANGULAR ± 0.5° <small>THIRD ANGLE PROJECTION</small>			
		<b>ROCKLOCK™ 96MM RIGHT ANGLE ADAPTER</b>		
WWW.5THAXIS.COM  7140 ENGINEER ROAD SAN DIEGO, CA 92111  P (858) 505-0432 F (858) 505-9344	DESCRIPTION <b>RL96A-90DEG</b>	SIZE <b>B</b>	PART NO. <b>RL96A-90DEG</b>	REV <b>A</b>
DO NOT SCALE DRAWING		SCALE 1:3	WEIGHT:	SHEET 1 OF 2

**MATERIAL:**  
**RL96A-90DEG: 6061 ALUMINUM BODY**

# RL96A-90DEG



ITEM NO.	PART NUMBER	DESCRIPTION	QTY.
1	RL96-190A	ROCKLOCK™ BASE	1
2	RL96-2L	LEFT ROCKLOCK™ TRUCK	1
3	RL96-2R	RIGHT ROCKLOCK™ TRUCK	1
4	RL96-3	ROCKLOCK™ LEAD SCREW	1
5	27X20.DB	PRECISION BUSHING	4
6	SB54	SHOULDER BOLT	2
7	9452K183	BASE O-RING	4
8	9452K121	TRUCK O-RING	2
9	9750K73	PLASTIC PLUG (NOT SHOWN)	4
10	91390A162	SET SCREW	4
11	PS20F	PULL STUD	4

FOR REFERENCE ONLY - NOT FOR RESALE

**MILLIMETER**

DRAWN IN ACCORDANCE WITH  
 ASME Y14.5-2009

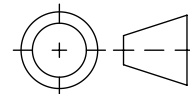
WWW.5THAXIS.COM

7140 ENGINEER ROAD  
 SAN DIEGO, CA 92111

P (858) 505-0432  
 F (858) 505-9344

**TOLERANCES**  
 UNLESS OTHERWISE SPECIFIED

x ± 0.1    .xx ± 0.01  
 .x ± 0.05    .xxx ± 0.005  
 ANGULAR ± 0.5°  
 THIRD ANGLE PROJECTION



DESCRIPTION  
**ROCKLOCK™ 96MM RIGHT ANGLE ADAPTER**

SIZE **B** PART NO. **RL96A-90DEG** REV **A**

DO NOT SCALE DRAWING

SCALE 1:3

WEIGHT:

SHEET 2 OF 2