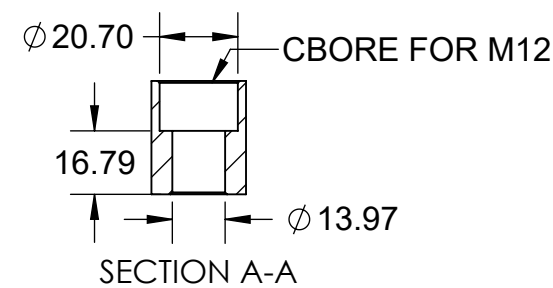
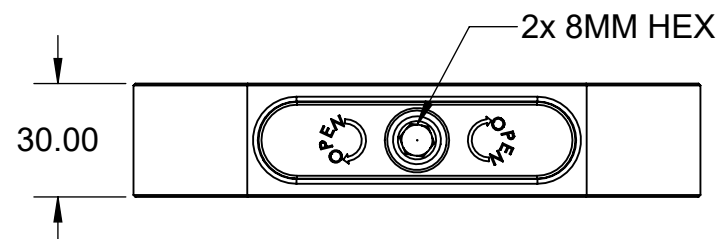
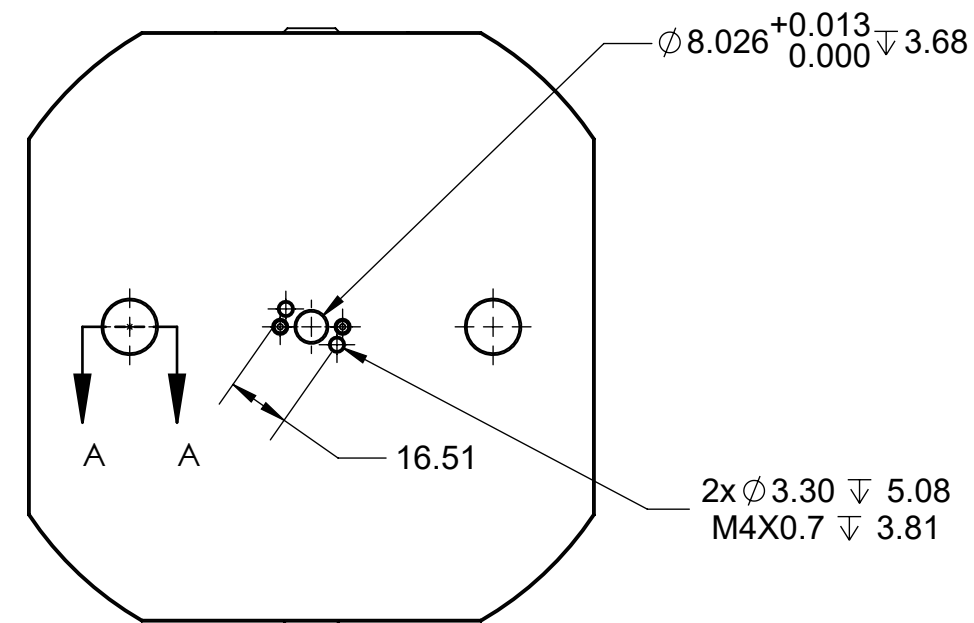
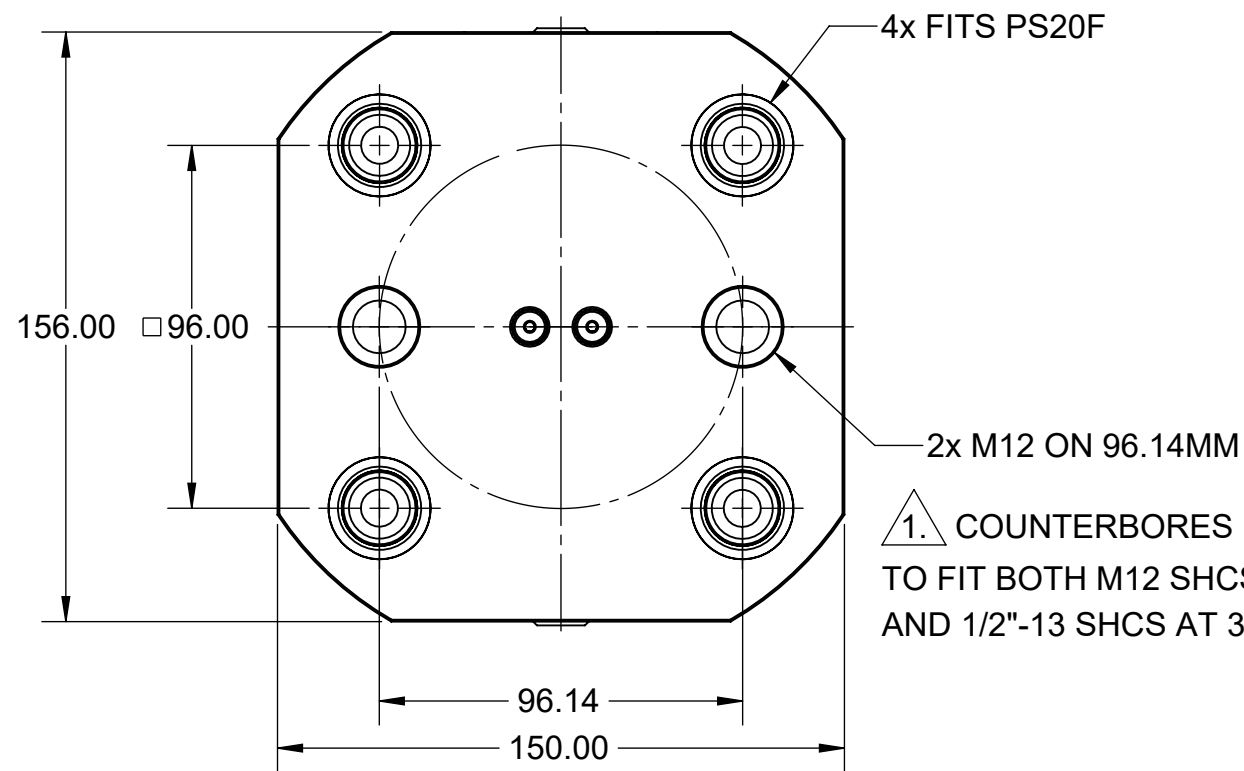
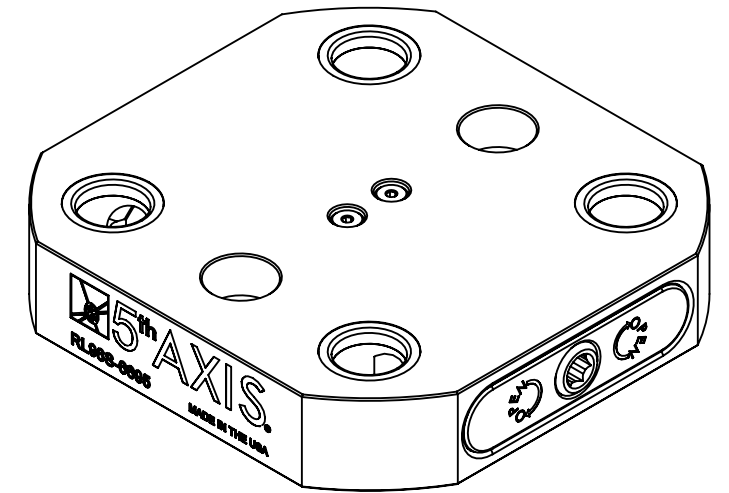


MATERIAL:
 RL96A-6695: 6061 ALUMINUM BODY
 RL96S-6695: 1018 STEEL BODY

1. ENLARGED COUNTERBORE

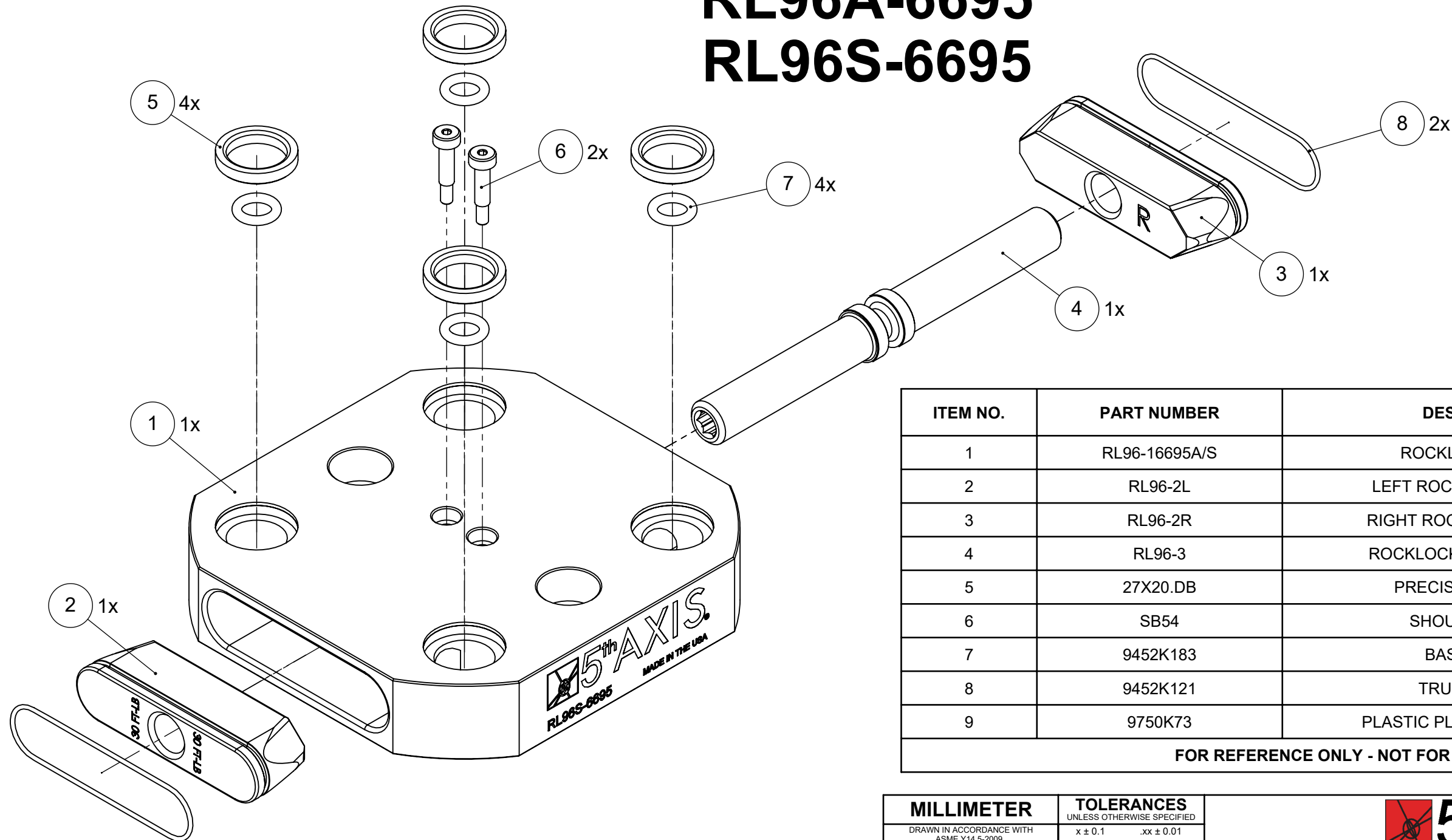
RL96A-6695 RL96S-6695



MILLIMETER <small>DRAWN IN ACCORDANCE WITH ASME Y14.5-2009</small> <small>WWW.5THAXIS.COM</small> <small>7140 ENGINEER ROAD SAN DIEGO, CA 92111</small> <small>P (858) 505-0432 F (858) 505-9344</small>	TOLERANCES <small>UNLESS OTHERWISE SPECIFIED</small> x ± 0.1 .xx ± 0.01 .x ± 0.05 .xxx ± 0.005 ANGULAR ± 0.5° <small>THIRD ANGLE PROJECTION</small>			
	DESCRIPTION ROCKLOCK™ 96MM LOW-PROFILE BASE	SIZE B	PART NO. RL96A-6695 / RL96S-6695	REV A
DO NOT SCALE DRAWING		SCALE 1:2	WEIGHT:	SHEET 1 OF 2

MATERIAL:
 RL96A-6695: 6061 ALUMINUM BODY
 RL96S-6695: 1018 STEEL BODY

RL96A-6695 RL96S-6695



ITEM NO.	PART NUMBER	DESCRIPTION	QTY.
1	RL96-16695A/S	ROCKLOCK™ BASE	1
2	RL96-2L	LEFT ROCKLOCK™ TRUCK	1
3	RL96-2R	RIGHT ROCKLOCK™ TRUCK	1
4	RL96-3	ROCKLOCK™ LEAD SCREW	1
5	27X20.DB	PRECISION BUSHING	4
6	SB54	SHOULDER BOLT	2
7	9452K183	BASE O-RING	4
8	9452K121	TRUCK O-RING	2
9	9750K73	PLASTIC PLUG (NOT SHOWN)	4

FOR REFERENCE ONLY - NOT FOR RESALE

MILLIMETER

DRAWN IN ACCORDANCE WITH
 ASME Y14.5-2009

WWW.5THAXIS.COM

7140 ENGINEER ROAD
 SAN DIEGO, CA 92111

P (858) 505-0432
 F (858) 505-9344

TOLERANCES

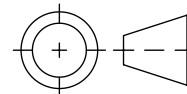
UNLESS OTHERWISE SPECIFIED

x ± 0.1 .xx ± 0.01

.x ± 0.05 .xxx ± 0.005

ANGULAR ± 0.5°

THIRD ANGLE PROJECTION



DESCRIPTION

ROCKLOCK™ 96MM LOW-PROFILE BASE

SIZE

B

PART NO.

RL96A-6695 / RL96S-6695

REV

A

DO NOT SCALE DRAWING

SCALE 2:3

WEIGHT:

SHEET 2 OF 2