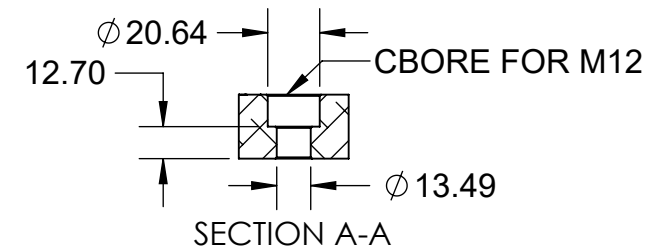
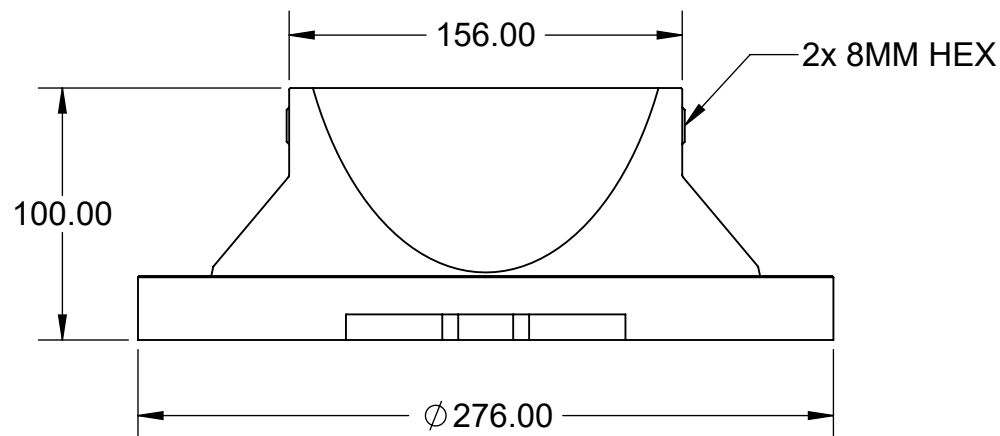
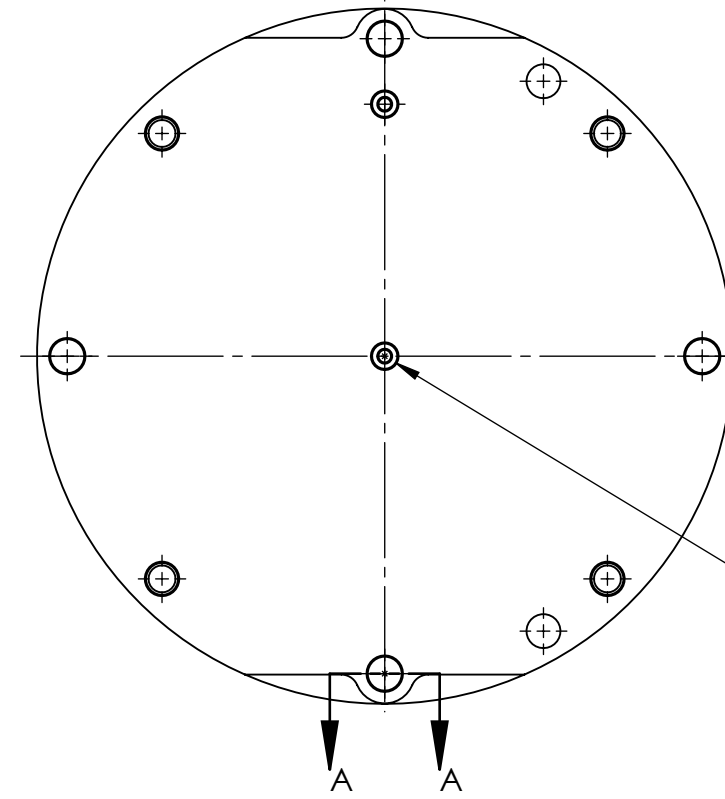
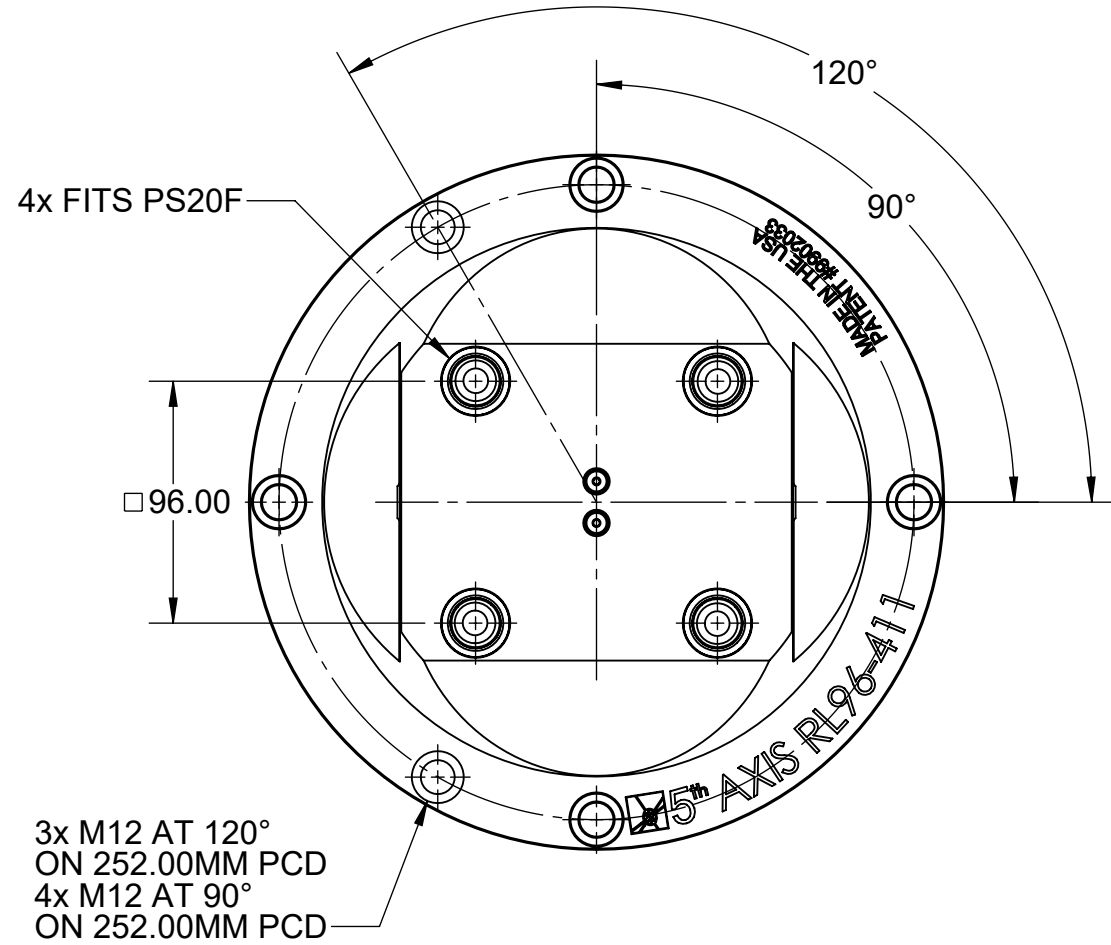
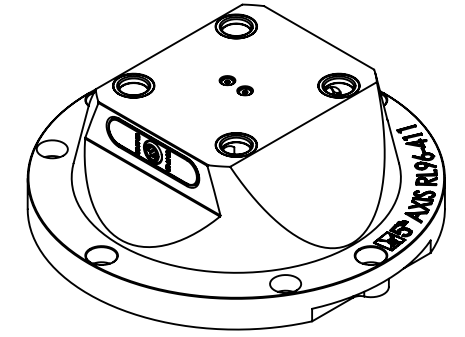


RL96A-411

MATERIAL:
RL96A-411: 6061 ALUMINUM BODY



MILLIMETER <small>DRAWN IN ACCORDANCE WITH ASME Y14.5-2009</small>	TOLERANCES <small>UNLESS OTHERWISE SPECIFIED</small> x ± 0.1 .xx ± 0.01 .x ± 0.05 .xxx ± 0.005 ANGULAR ± 0.5° THIRD ANGLE PROJECTION			
		ROCKLOCK™ 96MM RISER		
WWW.5THAXIS.COM 7140 ENGINEER ROAD SAN DIEGO, CA 92111 P (858) 505-0432 F (858) 505-9344	DESCRIPTION RL96A-411		REV A	
	SIZE B	PART NO. RL96A-411	DO NOT SCALE DRAWING SCALE 1:3 WEIGHT: SHEET 1 OF 2	

8

7

6

5

4

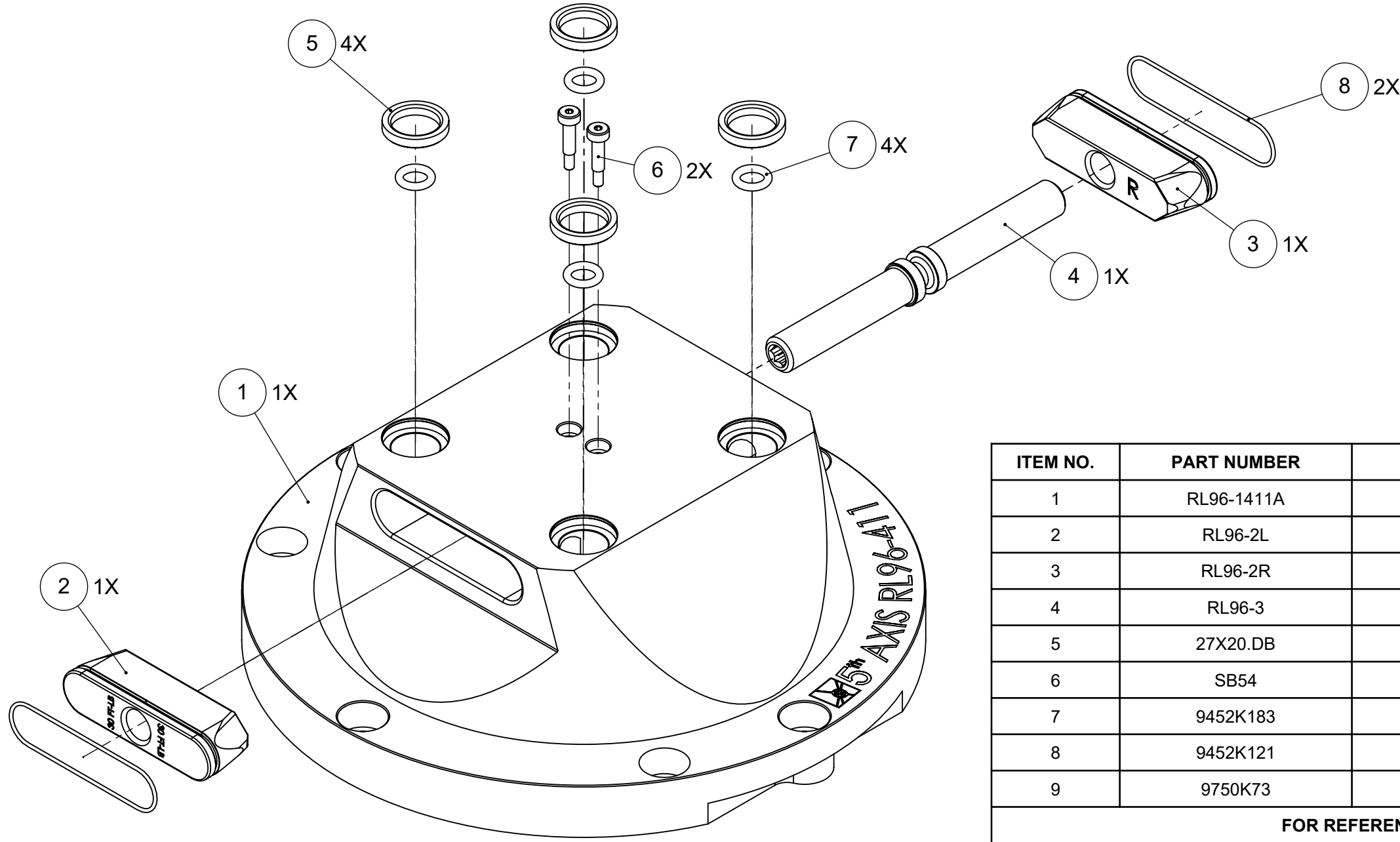
3

2

1


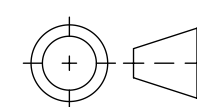
MATERIAL:
RL96A-411: 6061 ALUMINUM BODY

RL96A-411



ITEM NO.	PART NUMBER	DESCRIPTION	QTY.
1	RL96-1411A	ROCKLOCK™ RISER	1
2	RL96-2L	LEFT ROCKLOCK™ TRUCK	1
3	RL96-2R	RIGHT ROCKLOCK™ TRUCK	1
4	RL96-3	ROCKLOCK™ LEAD SCREW	1
5	27X20.DB	PRECISION BUSHING	4
6	SB54	SHOULDER BOLT	2
7	9452K183	BASE O-RING	4
8	9452K121	TRUCK O-RING	2
9	9750K73	PLASTIC PLUG (NOT SHOWN)	4

FOR REFERENCE ONLY - NOT FOR RESALE

MILLIMETER <small>DRAWN IN ACCORDANCE WITH ASME Y14.5-2009</small> <small>WWW.5THAXIS.COM</small> <small>7140 ENGINEER ROAD SAN DIEGO, CA 92111</small> <small>P (858) 505-0432 F (858) 505-9344</small>	TOLERANCES <small>UNLESS OTHERWISE SPECIFIED</small> x ± 0.1 .xx ± 0.01 .x ± 0.05 .xxx ± 0.005 ANGULAR ± 0.5° THIRD ANGLE PROJECTION		
		DESCRIPTION ROCKLOCK™ 96MM RISER	
SIZE B		PART NO. RL96A-411	REV A
DO NOT SCALE DRAWING		SCALE 1:2	WEIGHT:
			SHEET 2 OF 2

8

7

6

5

4

3

2

1