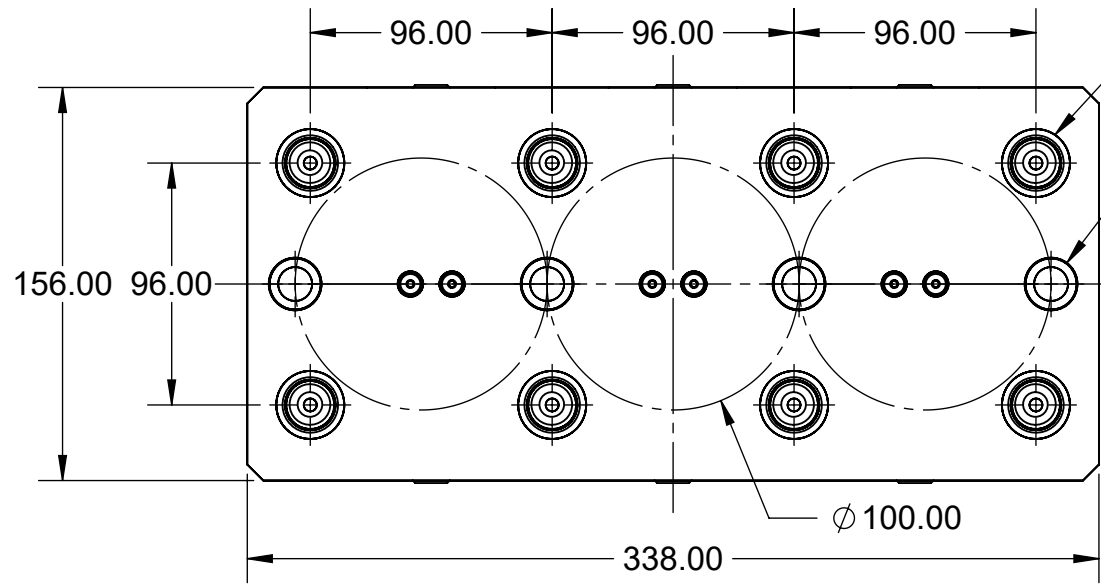
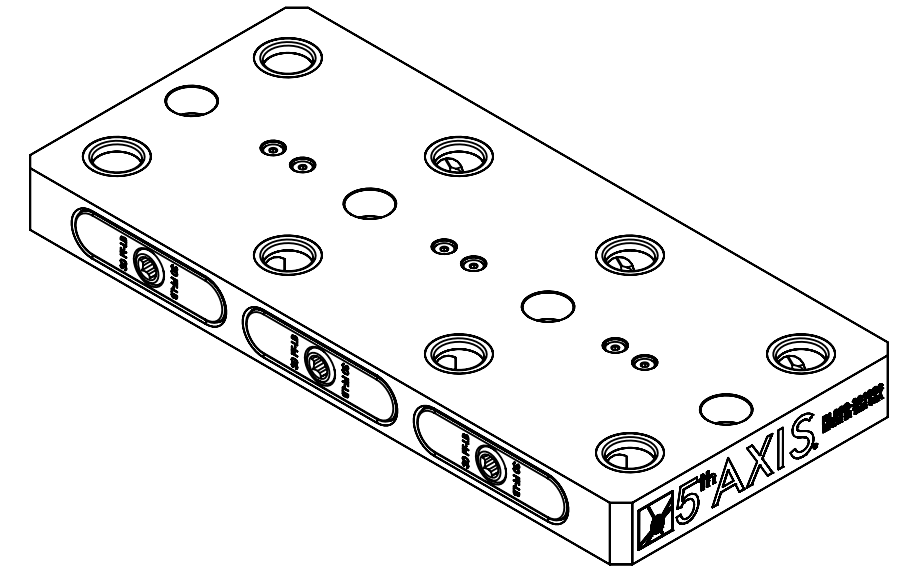


**MATERIAL:**  
**RL96A-3613S3: 6061 ALUMINUM BODY**

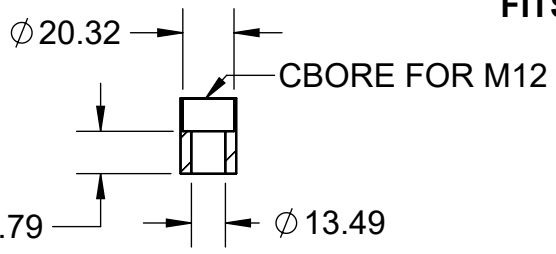
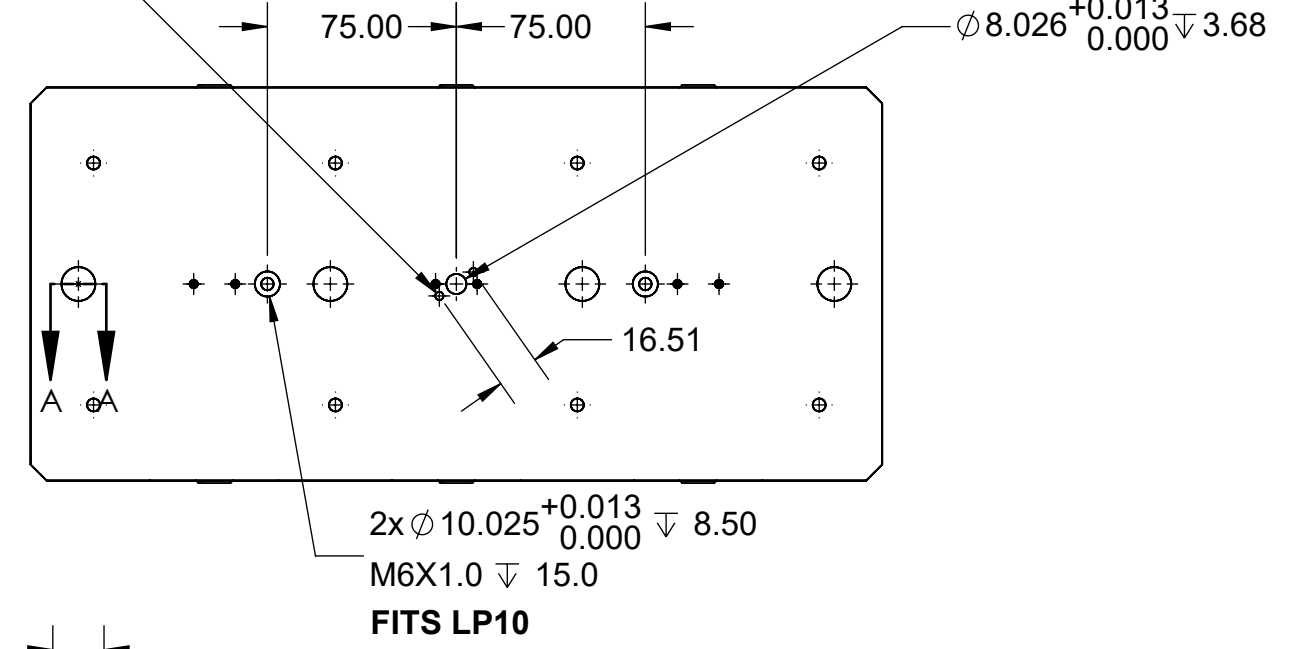
# RL96A-3613S3



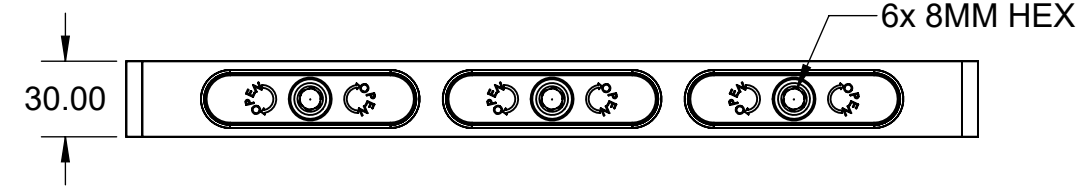
2x  $\phi 3.30 \nabla 5.08$   
M4X0.7  $\nabla 3.81$

8x FITS PS20F

4x M12 ON  
100.00MM APART



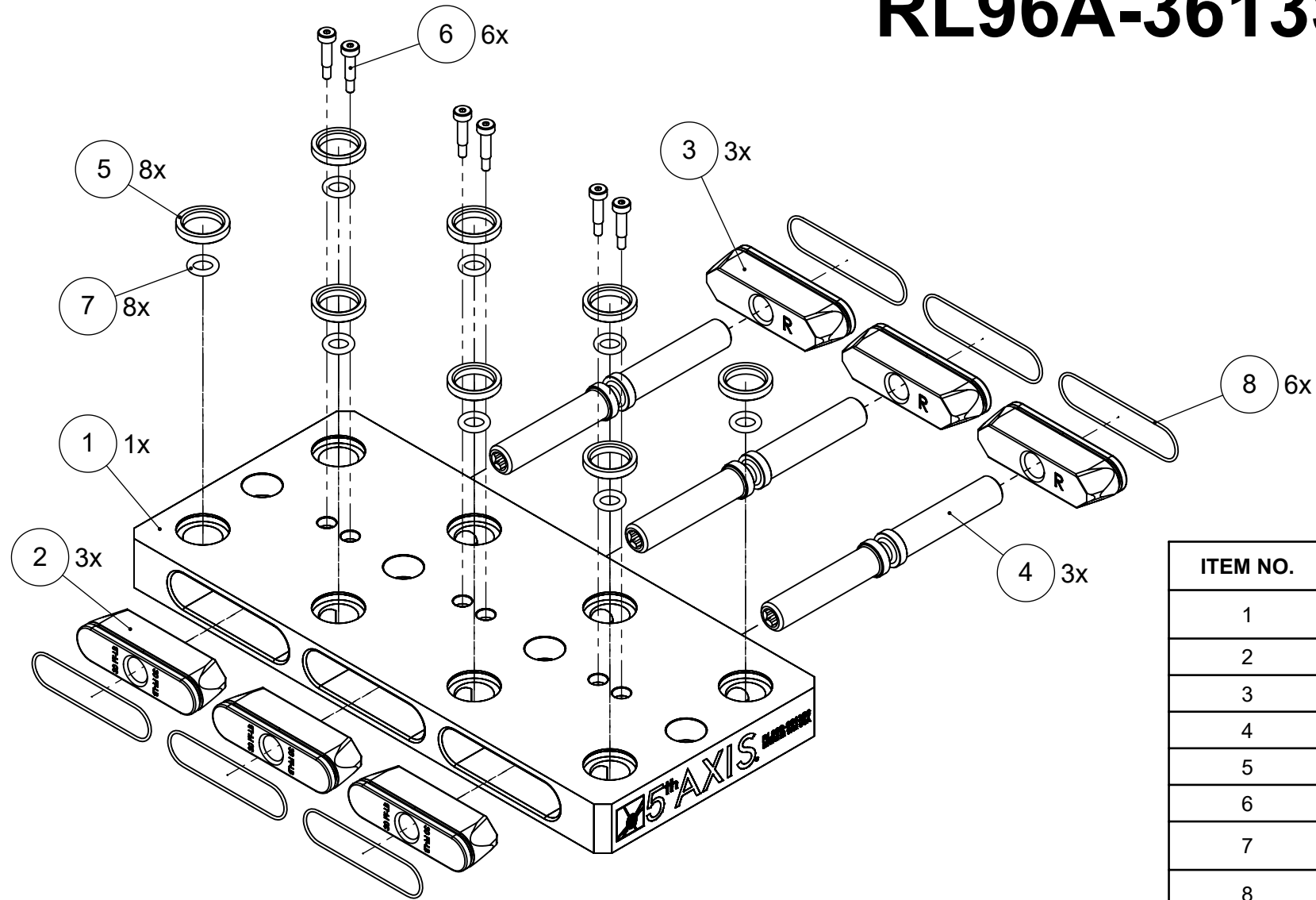
SECTION A-A



<b>MILLIMETER</b> <small>DRAWN IN ACCORDANCE WITH  ASME Y14.5-2009</small>  WWW.5THAXIS.COM  7140 ENGINEER ROAD SAN DIEGO, CA 92111  P (858) 505-0432 F (858) 505-9344	<b>TOLERANCES</b> <small>UNLESS OTHERWISE SPECIFIED</small> x $\pm 0.1$ .xx $\pm 0.01$ .x $\pm 0.05$ .xxx $\pm 0.005$ ANGULAR $\pm 0.5^\circ$ <small>THIRD ANGLE PROJECTION</small>			
		<b>DESCRIPTION</b> <b>ROCKLOCK™ 96MM MULTI-POSITION LOW-PROFILE BASE</b>		
		<b>SIZE</b> <b>B</b>	<b>PART NO.</b> <b>RL96A-3613S3</b>	<b>REV</b> <b>A</b>
DO NOT SCALE DRAWING		SCALE 1:3	WEIGHT:	SHEET 1 OF 2

**MATERIAL:**  
**RL96A-3613S3: 6061 ALUMINUM BODY**

# RL96A-3613S3



ITEM NO.	PART NUMBER	DESCRIPTION	QTY.
1	RL96-1613S3A	ROCKLOCK™ BASE	1
2	RL96-2L	LEFT ROCKLOCK™ TRUCK	3
3	RL96-2R	RIGHT ROCKLOCK™ TRUCK	3
4	RL96-3	ROCKLOCK™ LEAD SCREW	3
5	27X20.DB	PRECISION BUSHING	8
6	SB54	SHOULDER BOLT	6
7	9452K183	BASE O-RING	8
8	9452K121	TRUCK O-RING	6
9	9750K73	PLASTIC PLUG (NOT SHOWN)	8

FOR REFERENCE ONLY - NOT FOR RESALE

<b>MILLIMETER</b> <small>DRAWN IN ACCORDANCE WITH          ASME Y14.5-2009</small>  WWW.5THAXIS.COM  7140 ENGINEER ROAD SAN DIEGO, CA 92111  P (858) 505-0432 F (858) 505-9344	<b>TOLERANCES</b> <small>UNLESS OTHERWISE SPECIFIED</small> x ± 0.1    .xx ± 0.01 .x ± 0.05    .xxx ± 0.005 ANGULAR ± 0.5° THIRD ANGLE PROJECTION		
		DESCRIPTION <b>ROCKLOCK™ 96MM MULTI-POSITION LOW-PROFILE BASE</b>	
SIZE <b>B</b> PART NO. <b>RL96A-3613S3</b> REV <b>A</b>		DO NOT SCALE DRAWING	SCALE 1:3
		WEIGHT:	SHEET 1 OF 2