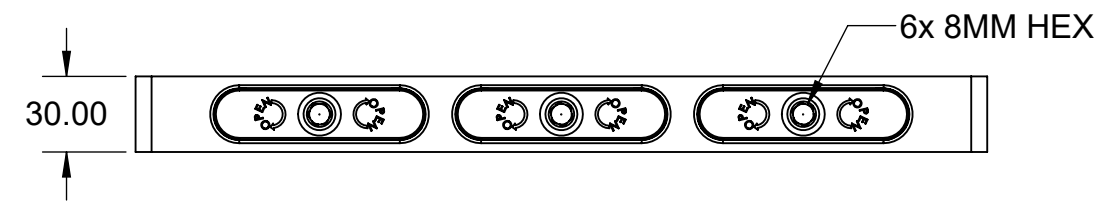
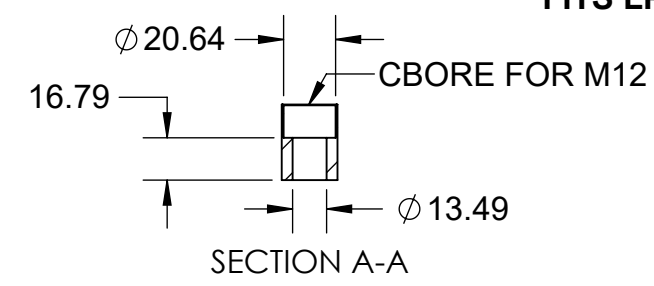
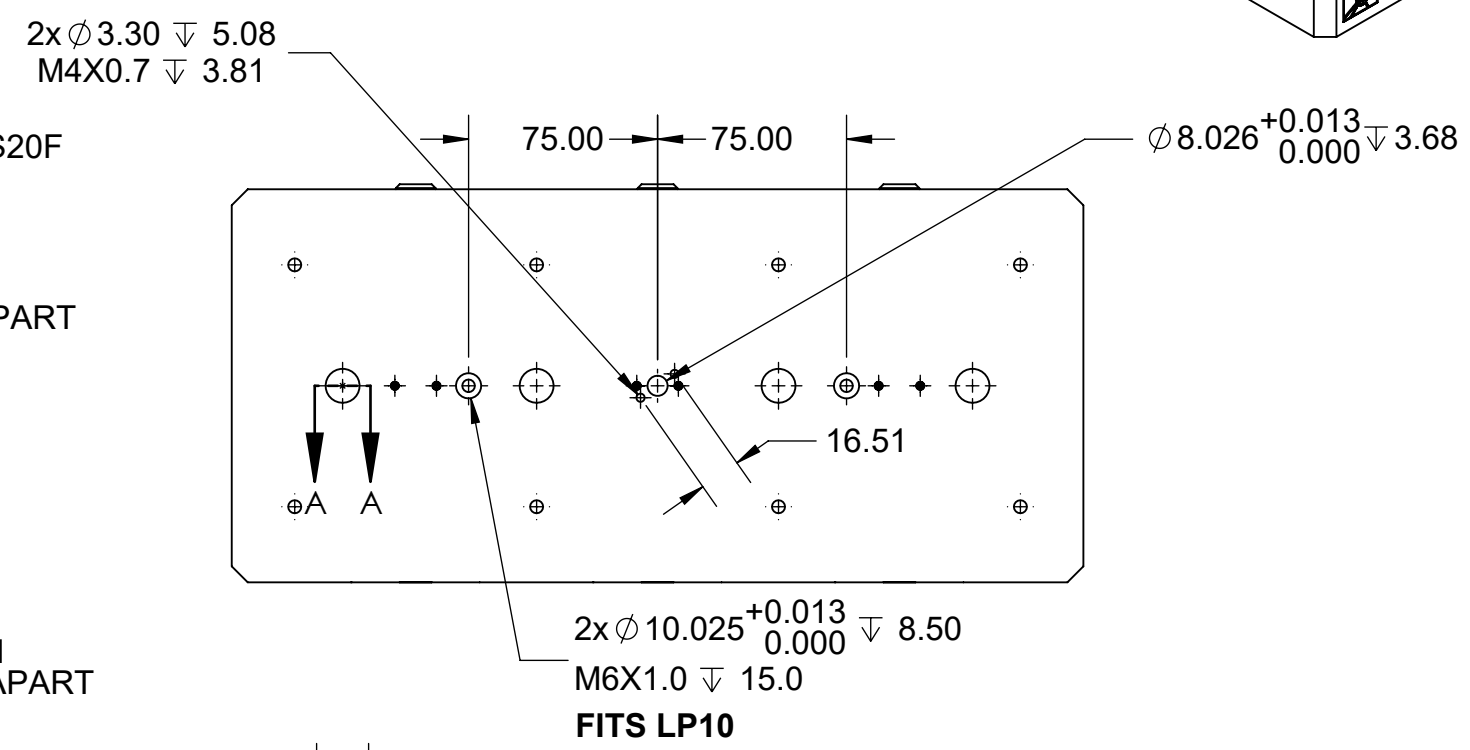
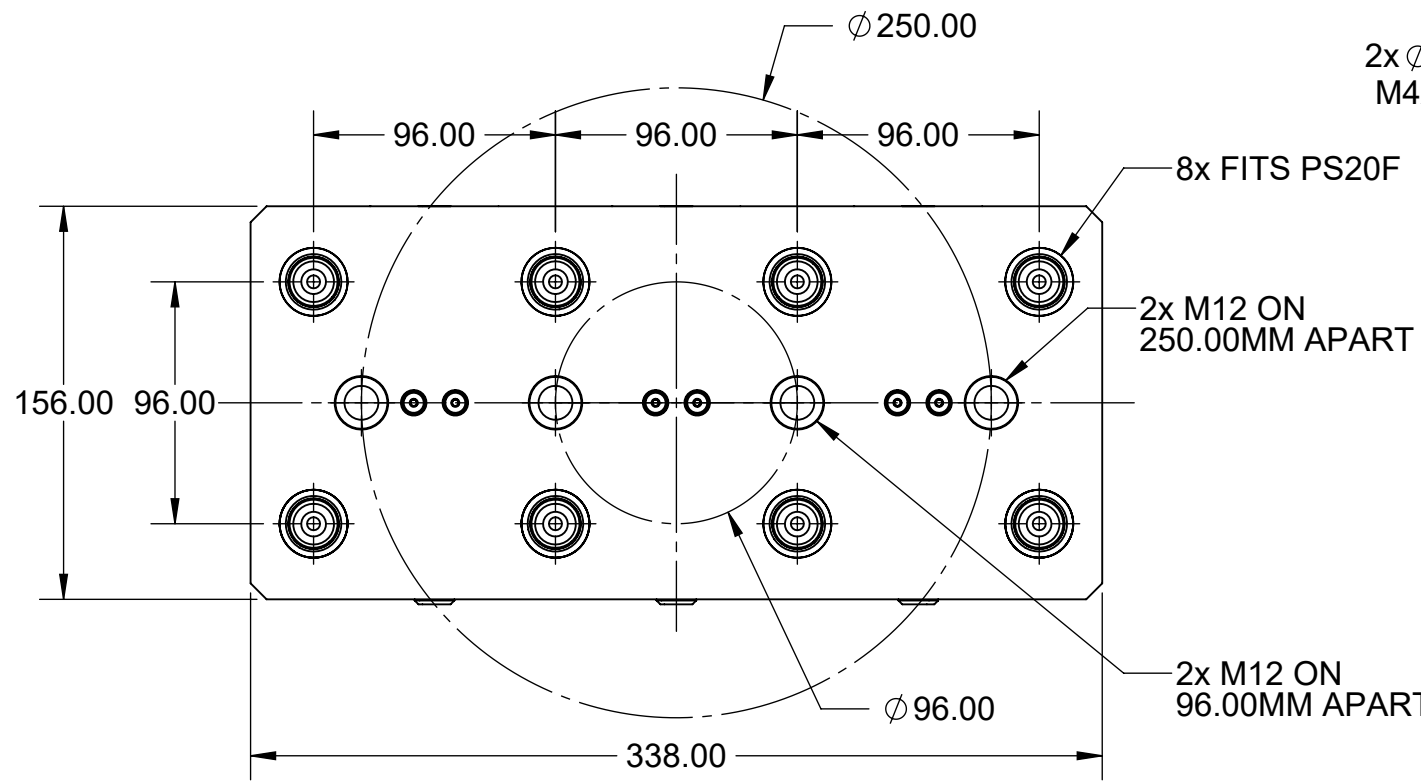
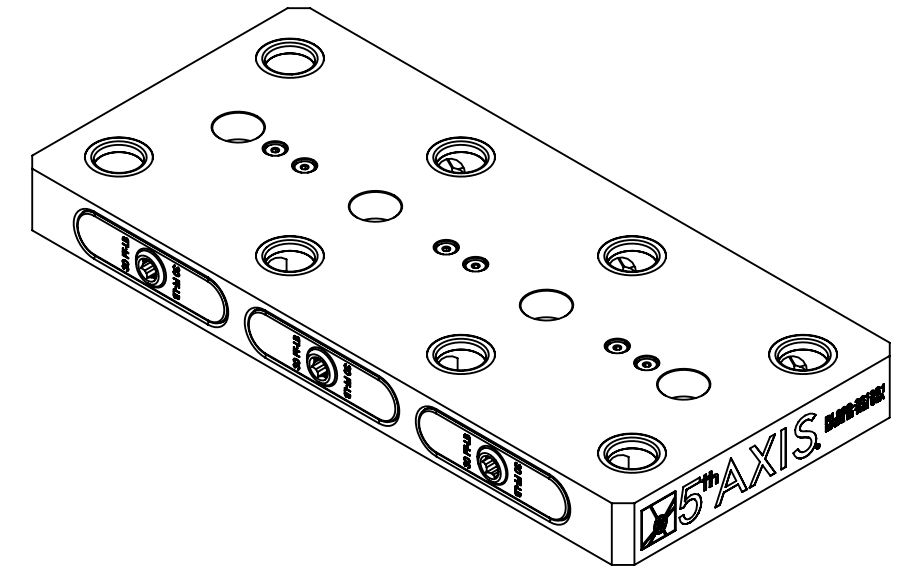


**MATERIAL:**  
**RL96A-3613S1: 6061 ALUMINUM BODY**

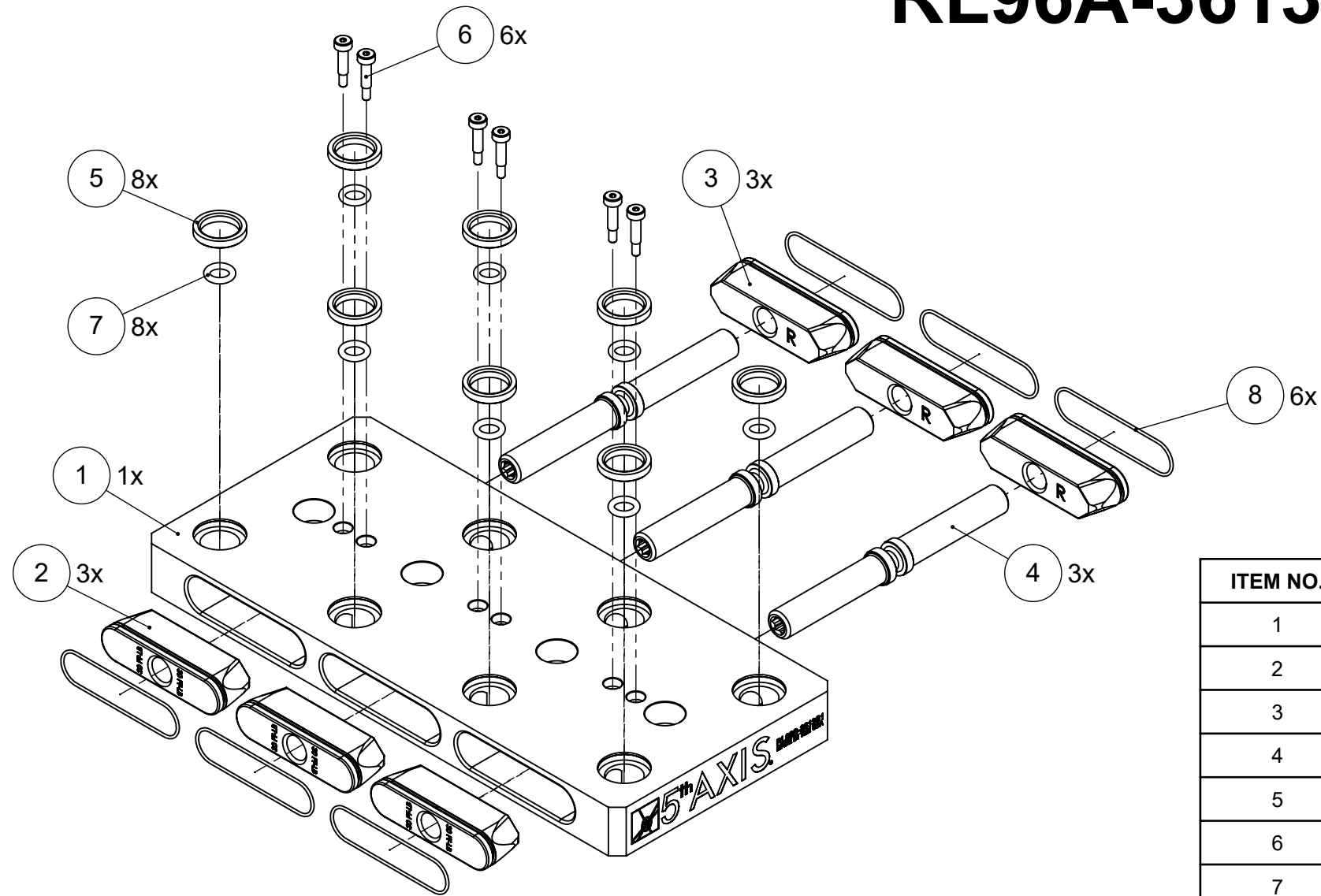
# RL96A-3613S1



<b>MILLIMETER</b> <small>DRAWN IN ACCORDANCE WITH ASME Y14.5-2009</small>  <small>WWW.5THAXIS.COM</small>  <small>7140 ENGINEER ROAD  SAN DIEGO, CA 92111</small>  <small>P (858) 505-0432  F (858) 505-9344</small>	<b>TOLERANCES</b> <small>UNLESS OTHERWISE SPECIFIED</small> x ± 0.1    .xx ± 0.01 .x ± 0.05    .xxx ± 0.005 ANGULAR ± 0.5° <small>THIRD ANGLE PROJECTION</small>			
	<small>DESCRIPTION</small> <b>ROCKLOCK™ 96MM MULTI-POSITION LOW-PROFILE BASE</b>	<small>SIZE</small> <b>B</b>	<small>PART NO.</small> <b>RL96A-3613S1</b>	<small>REV</small> <b>A</b>
<small>DO NOT SCALE DRAWING</small>		<small>SCALE</small> 1:3	<small>WEIGHT:</small>	<small>SHEET 1 OF 2</small>

**MATERIAL:**  
**RL96A-3613S1: 6061 ALUMINUM BODY**

# RL96A-3613S1



ITEM NO.	PART NUMBER	DESCRIPTION	QTY.
1	RL96-1613S1A	ROCKLOCK™ BASE	1
2	RL96-2L	LEFT ROCKLOCK™ TRUCK	3
3	RL96-2R	RIGHT ROCKLOCK™ TRUCK	3
4	RL96-3	ROCKLOCK™ LEAD SCREW	3
5	27X20.DB	PRECISION BUSHING	8
6	SB54	SHOULDER BOLT	6
7	9452K183	BASE O-RING	8
8	9452K121	TRUCK O-RING	6
9	9750K73	PLASTIC PLUG (NOT SHOWN)	8

FOR REFERENCE ONLY - NOT FOR RESALE

<b>MILLIMETER</b> <small>DRAWN IN ACCORDANCE WITH          ASME Y14.5-2009</small>  WWW.5THAXIS.COM  7140 ENGINEER ROAD SAN DIEGO, CA 92111  P (858) 505-0432 F (858) 505-9344	<b>TOLERANCES</b> <small>UNLESS OTHERWISE SPECIFIED</small> x ± 0.1    .xx ± 0.01 .x ± 0.05    .xxx ± 0.005 ANGULAR ± 0.5° THIRD ANGLE PROJECTION		
		DESCRIPTION <b>ROCKLOCK™ 96MM MULTI-POSITION LOW-PROFILE BASE</b>	
SIZE <b>B</b> PART NO. <b>RL96A-3613S1</b> REV <b>A</b>		DO NOT SCALE DRAWING	SCALE 1:3
		WEIGHT:	SHEET 2 OF 2