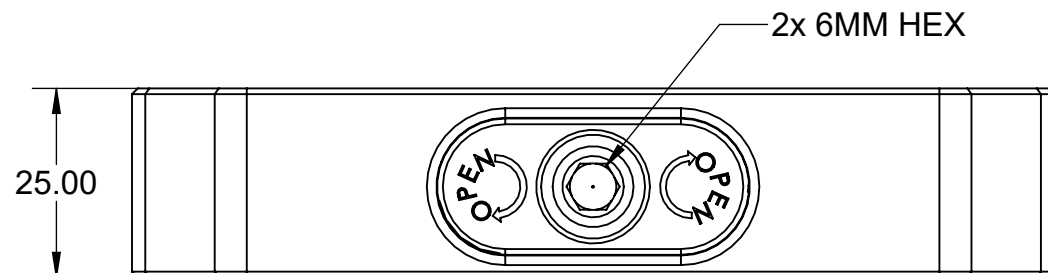
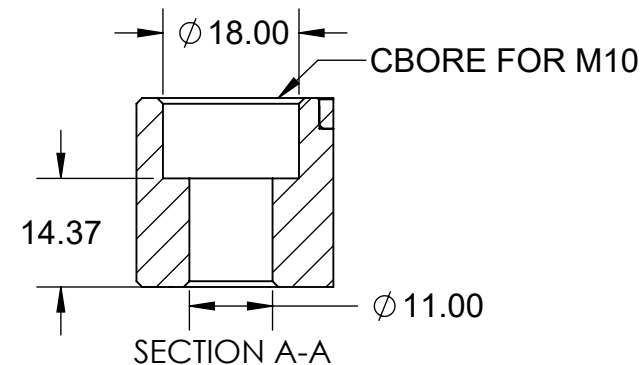
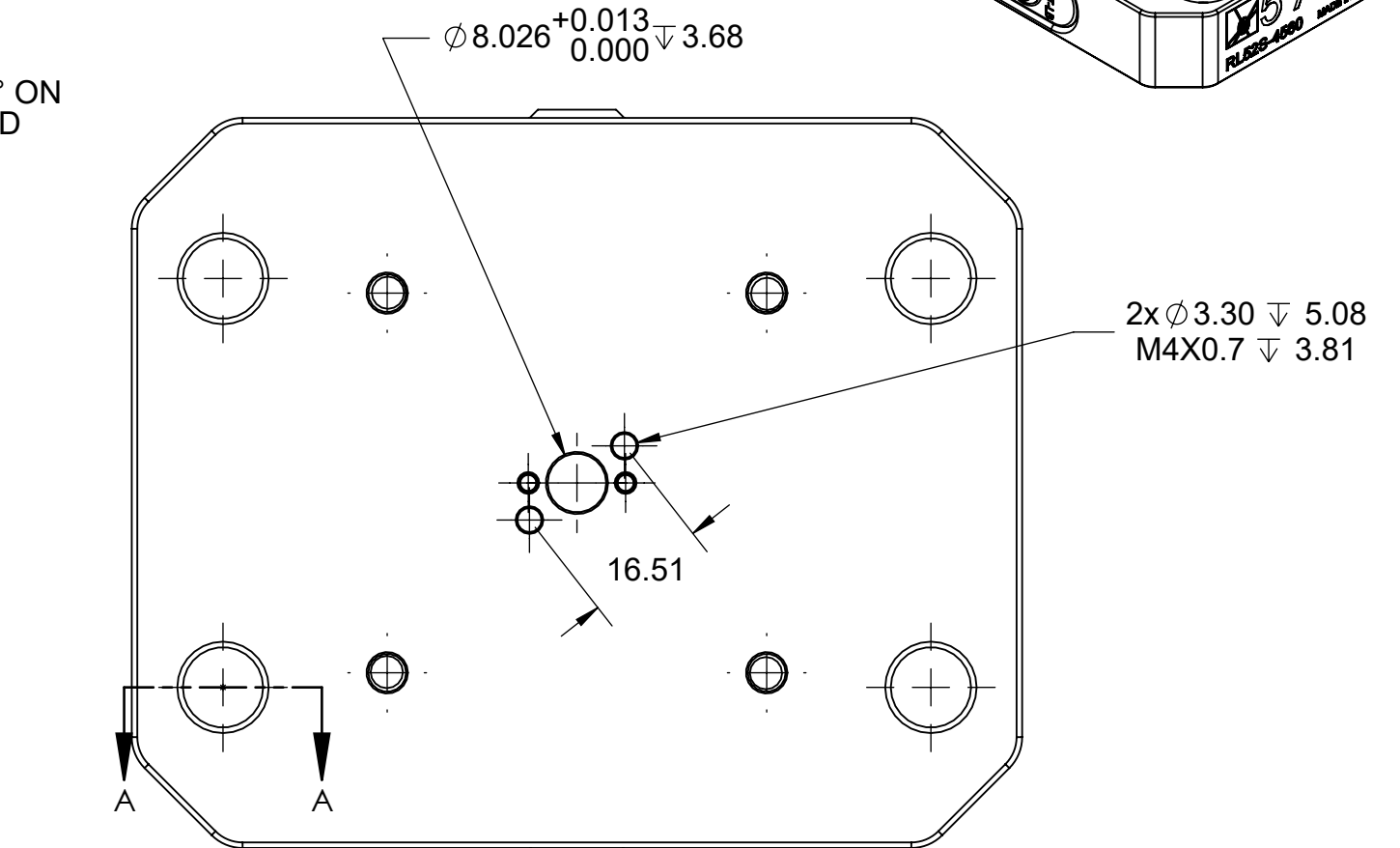
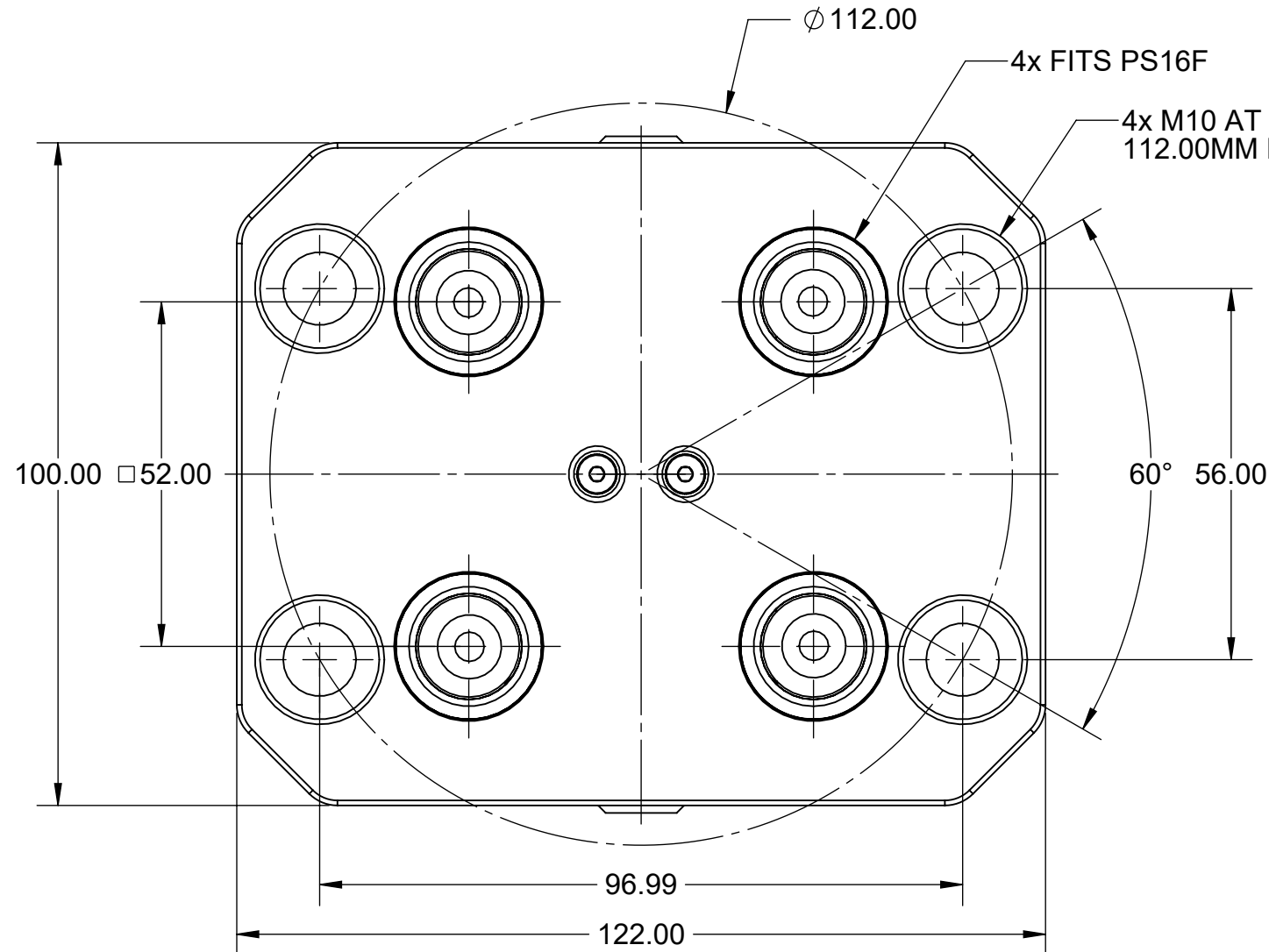
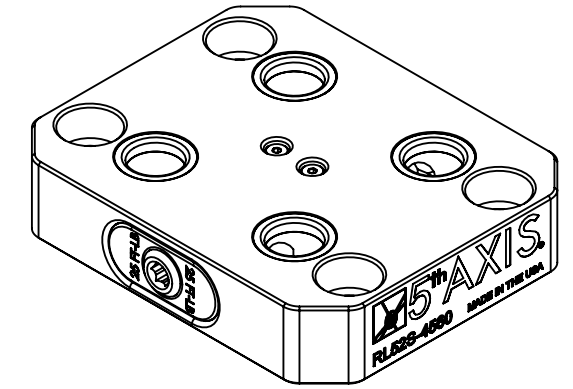


**MATERIAL:**  
 RL52A-4560: 6061 ALUMINUM BODY  
 RL52S-4560: 1018 STEEL BODY

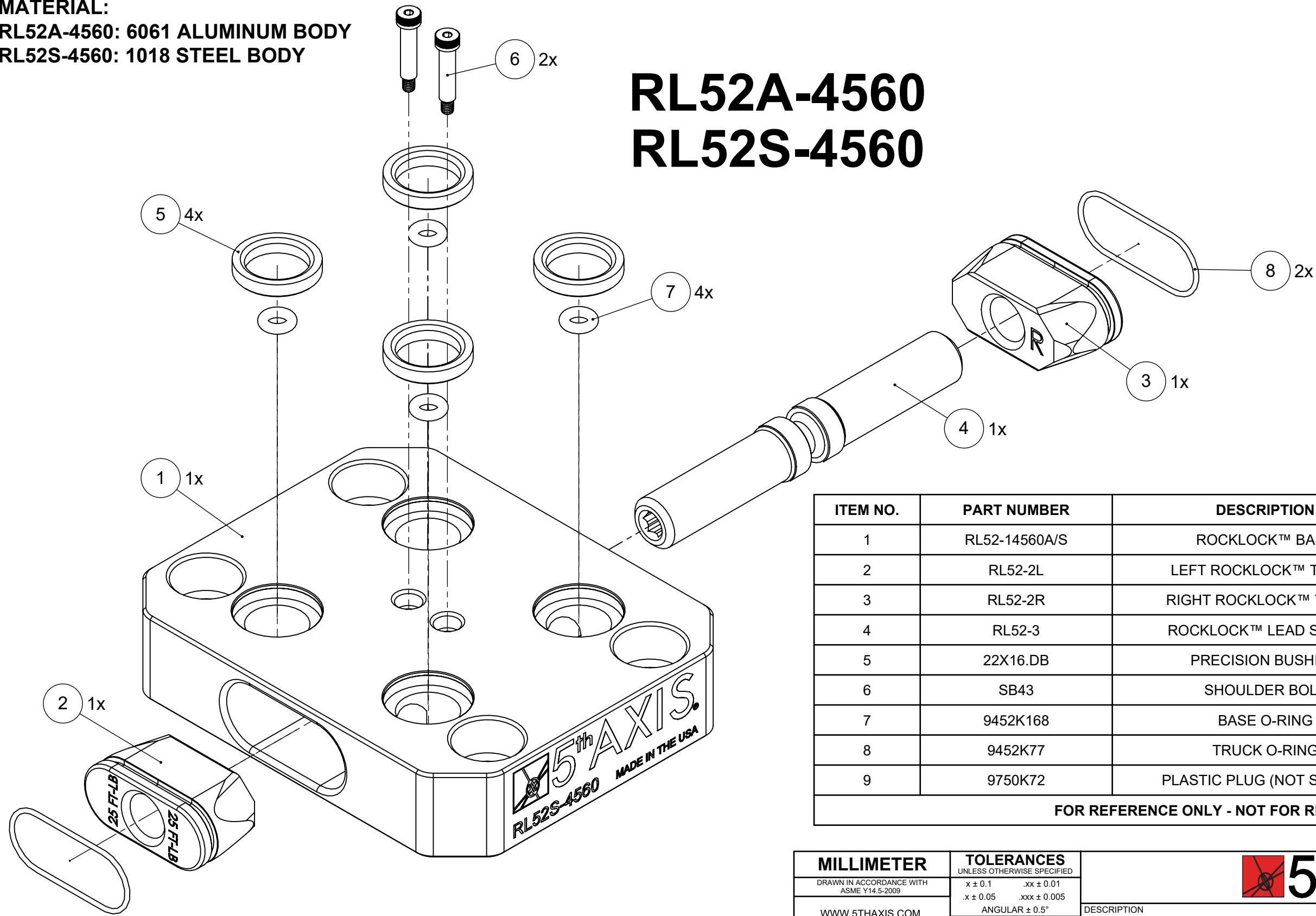
# RL52A-4560 RL52S-4560



<b>MILLIMETER</b> <small>DRAWN IN ACCORDANCE WITH ASME Y14.5-2009</small>  <small>WWW.5THAXIS.COM</small>  <small>7140 ENGINEER ROAD SAN DIEGO, CA 92111</small>  <small>P (858) 505-0432 F (858) 505-9344</small>	<b>TOLERANCES</b> <small>UNLESS OTHERWISE SPECIFIED</small> x ± 0.1    .xx ± 0.01 .x ± 0.05    .xxx ± 0.005 ANGULAR ± 0.5° THIRD ANGLE PROJECTION			
	DESCRIPTION <b>ROCKLOCK™ 52MM LOW-PROFILE BASE</b>	SIZE <b>B</b>	PART NO. <b>RL52A-4560 / RL52S-4560</b>	REV <b>A</b>
DO NOT SCALE DRAWING		SCALE 1:1	WEIGHT: .9 KG / 1.7 KG	SHEET 1 OF 2

**MATERIAL:**  
 RL52A-4560: 6061 ALUMINUM BODY  
 RL52S-4560: 1018 STEEL BODY

# RL52A-4560 RL52S-4560



ITEM NO.	PART NUMBER	DESCRIPTION	QTY.
1	RL52-14560A/S	ROCKLOCK™ BASE	1
2	RL52-2L	LEFT ROCKLOCK™ TRUCK	1
3	RL52-2R	RIGHT ROCKLOCK™ TRUCK	1
4	RL52-3	ROCKLOCK™ LEAD SCREW	1
5	22X16.DB	PRECISION BUSHING	4
6	SB43	SHOULDER BOLT	2
7	9452K168	BASE O-RING	4
8	9452K77	TRUCK O-RING	2
9	9750K72	PLASTIC PLUG (NOT SHOWN)	4

**FOR REFERENCE ONLY - NOT FOR RESALE**

<b>MILLIMETER</b> <small>DRAWN IN ACCORDANCE WITH ASME Y14.5-2009</small>  <small>WWW.5THAXIS.COM</small>  <small>7140 ENGINEER ROAD SAN DIEGO, CA 92111</small>  <small>P (858) 505-0432 F (858) 505-9344</small>	<b>TOLERANCES</b> <small>UNLESS OTHERWISE SPECIFIED</small> x ± 0.1    .xx ± 0.01 .x ± 0.05    .xxx ± 0.005 ANGULAR ± 0.5° THIRD ANGLE PROJECTION			
		<b>DESCRIPTION</b> ROCKLOCK™ 52MM LOW-PROFILE BASE		
		<b>SIZE</b> <b>B</b>	<b>PART NO.</b> <b>RL52A-4560 / RL52S-4560</b>	<b>REV</b> <b>A</b>
		DO NOT SCALE DRAWING	SCALE 1:1	WEIGHT: .9 KG / 1.7 KG
				SHEET 2 OF 2