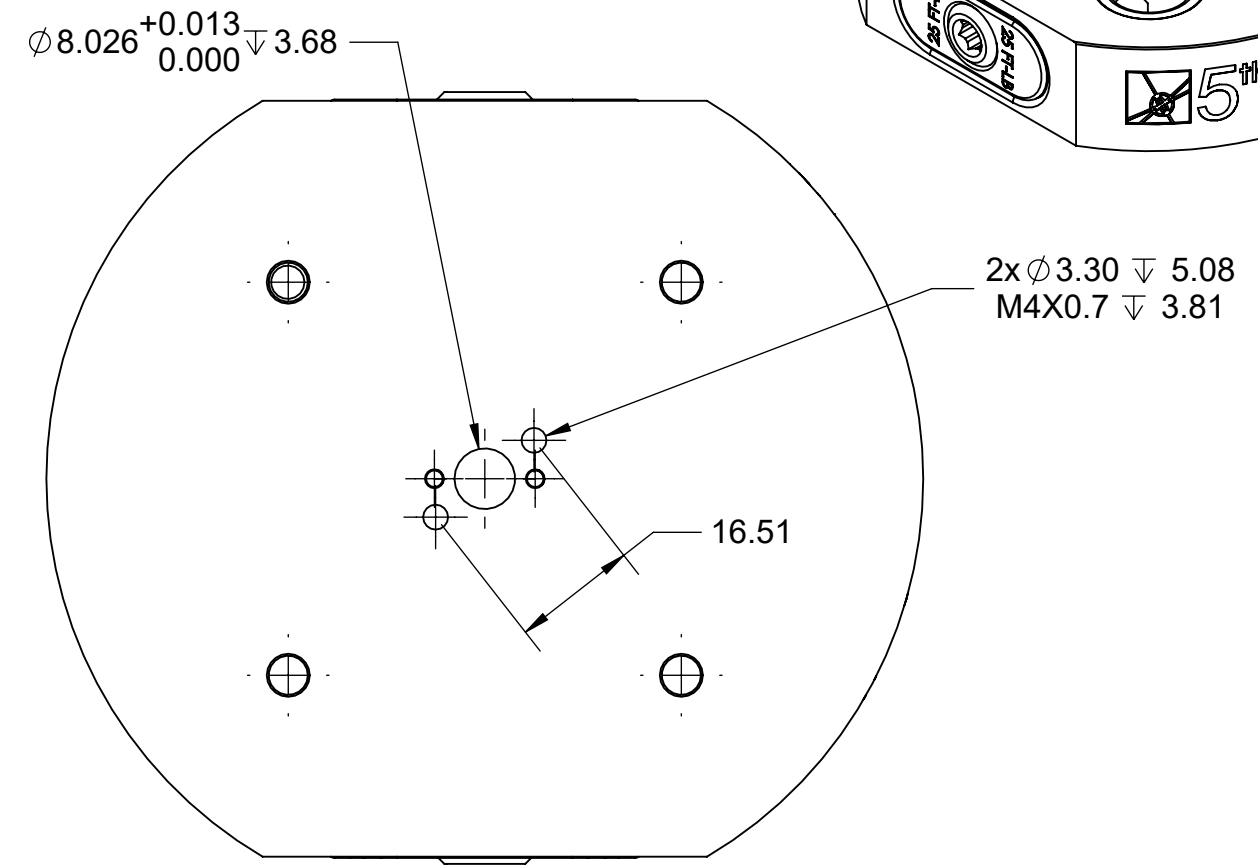
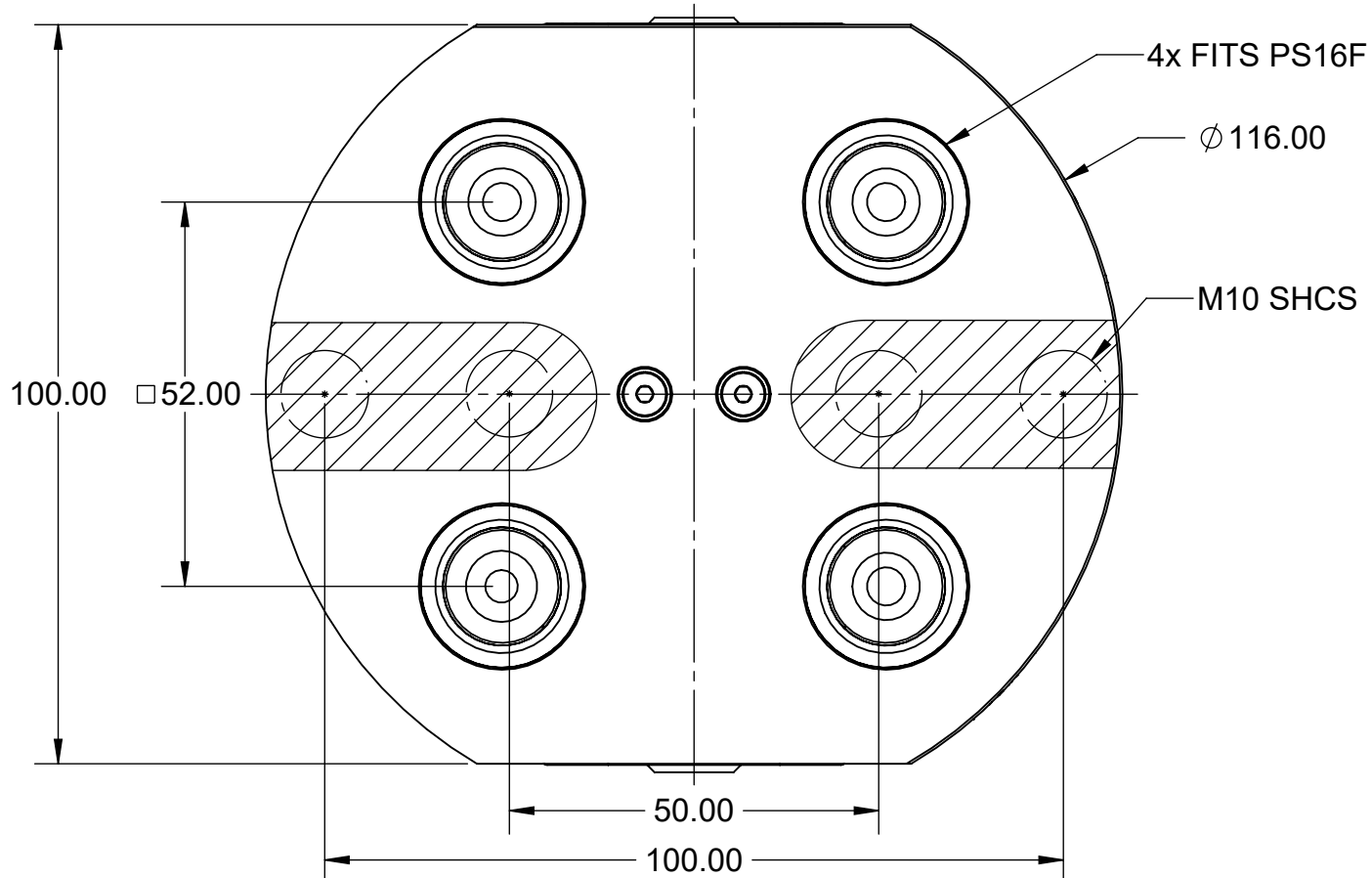
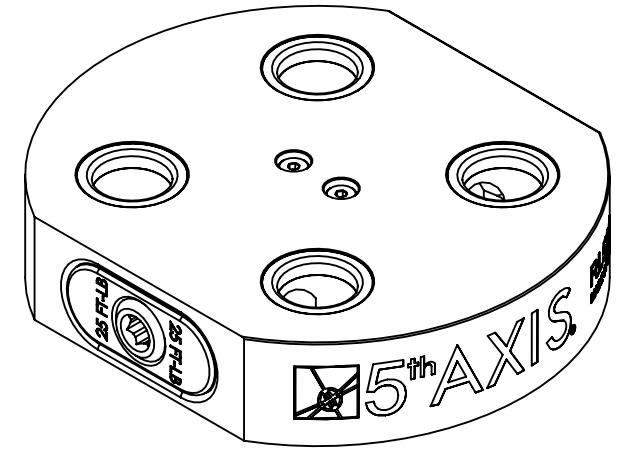
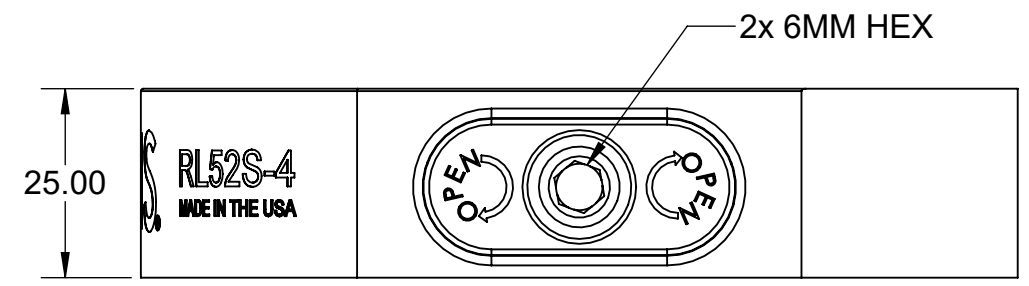



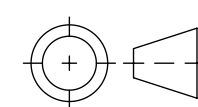
**MATERIAL:**  
 RL52A-4: 6061 ALUMINUM BODY  
 RL52S-4: 1018 STEEL BODY

# RL52A-4 RL52S-4



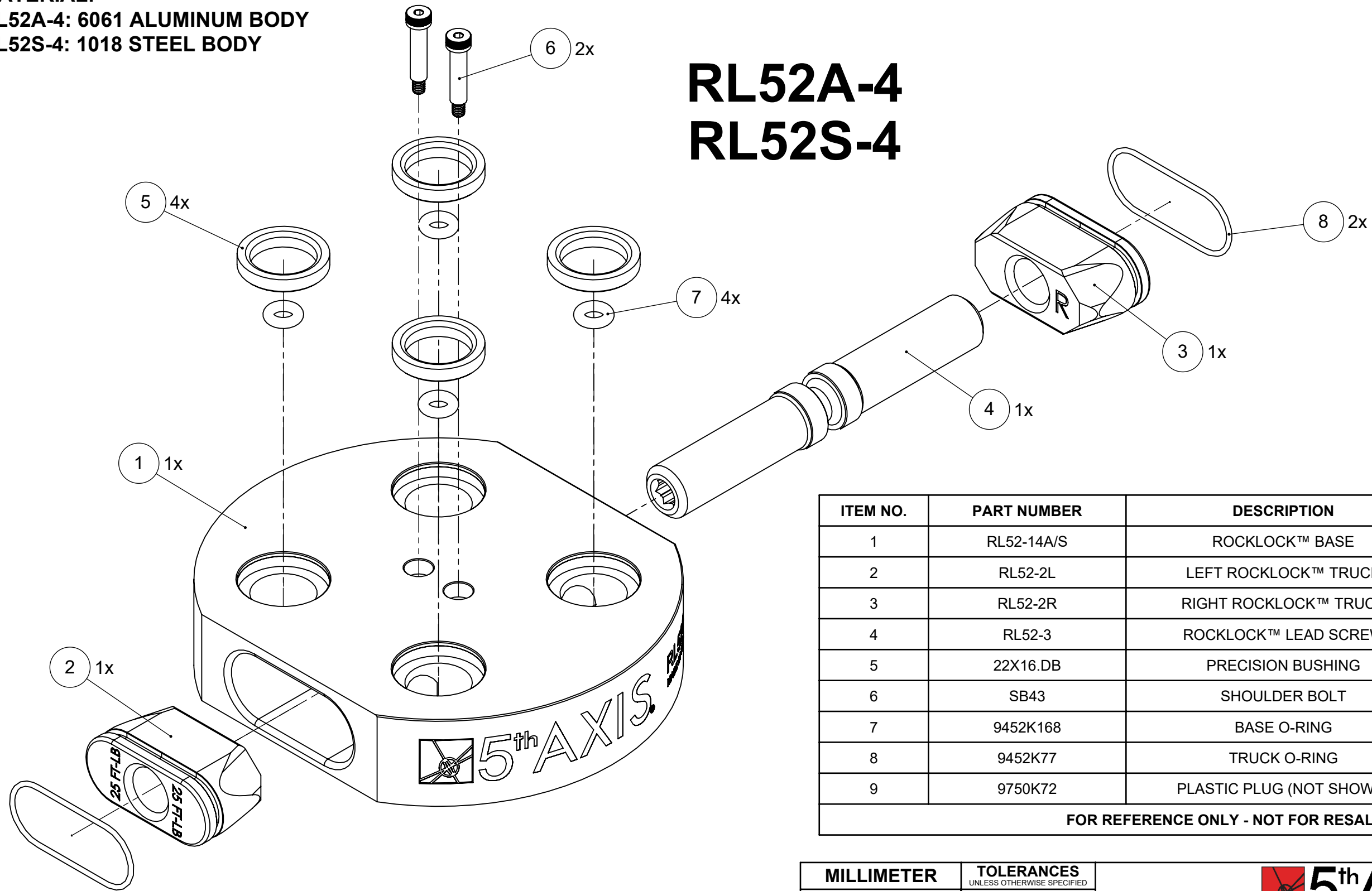
10MM SHCS MOUNTING HOLES CAN BE PLACED ANYWHERE FROM 50MM TO 100MM CENTER TO CENTER



<b>MILLIMETER</b>		<b>TOLERANCES</b> UNLESS OTHERWISE SPECIFIED			
DRAWN IN ACCORDANCE WITH ASME Y14.5-2009		x ± 0.1    .xx ± 0.01 .x ± 0.05    .xxx ± 0.005 ANGULAR ± 0.5° THIRD ANGLE PROJECTION			
WWW.5THAXIS.COM		7140 ENGINEER ROAD SAN DIEGO, CA 92111		DESCRIPTION <b>ROCKLOCK™ 52MM LOW-PROFILE BASE</b>	
P (858) 505-0432 F (858) 505-9344				SIZE <b>B</b>	PART NO. <b>RL52A-4 / RL52S-4</b>
DO NOT SCALE DRAWING		SCALE 1:1	WEIGHT: .9 KG / 1.7 KG	REV <b>A</b>	
SHEET 1 OF 2					

**MATERIAL:**  
 RL52A-4: 6061 ALUMINUM BODY  
 RL52S-4: 1018 STEEL BODY

# RL52A-4 RL52S-4



ITEM NO.	PART NUMBER	DESCRIPTION	QTY.
1	RL52-14A/S	ROCKLOCK™ BASE	1
2	RL52-2L	LEFT ROCKLOCK™ TRUCK	1
3	RL52-2R	RIGHT ROCKLOCK™ TRUCK	1
4	RL52-3	ROCKLOCK™ LEAD SCREW	1
5	22X16.DB	PRECISION BUSHING	4
6	SB43	SHOULDER BOLT	2
7	9452K168	BASE O-RING	4
8	9452K77	TRUCK O-RING	2
9	9750K72	PLASTIC PLUG (NOT SHOWN)	4

FOR REFERENCE ONLY - NOT FOR RESALE

<b>MILLIMETER</b> <small>DRAWN IN ACCORDANCE WITH ASME Y14.5-2009</small>	<b>TOLERANCES</b> <small>UNLESS OTHERWISE SPECIFIED</small> x ± 0.1    .xx ± 0.01 .x ± 0.05    .xxx ± 0.005 ANGULAR ± 0.5° THIRD ANGLE PROJECTION			
		<b>ROCKLOCK™ 52MM LOW-PROFILE BASE</b>		
WWW.5THAXIS.COM  7140 ENGINEER ROAD SAN DIEGO, CA 92111  P (858) 505-0432 F (858) 505-9344		DESCRIPTION <b>RL52A-4 / RL52S-4</b>	SIZE <b>B</b>	PART NO. <b>RL52A-4 / RL52S-4</b>
		DO NOT SCALE DRAWING	SCALE 1:1	WEIGHT: .9 KG / 1.7 KG
			SHEET 2 OF 2	REV <b>A</b>