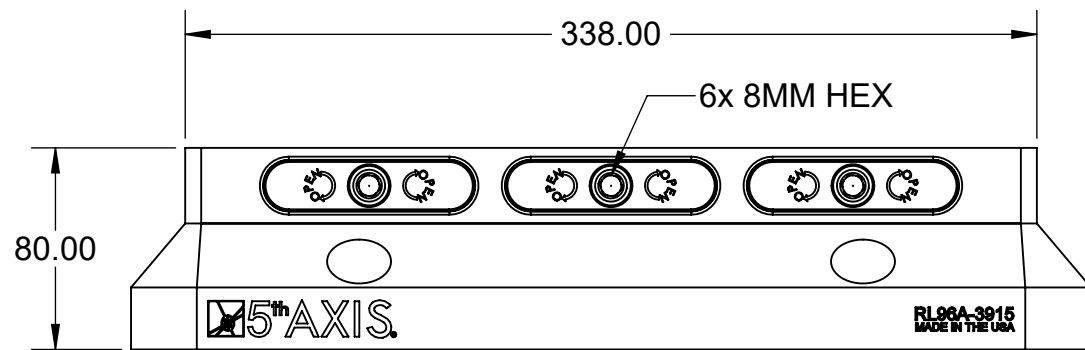
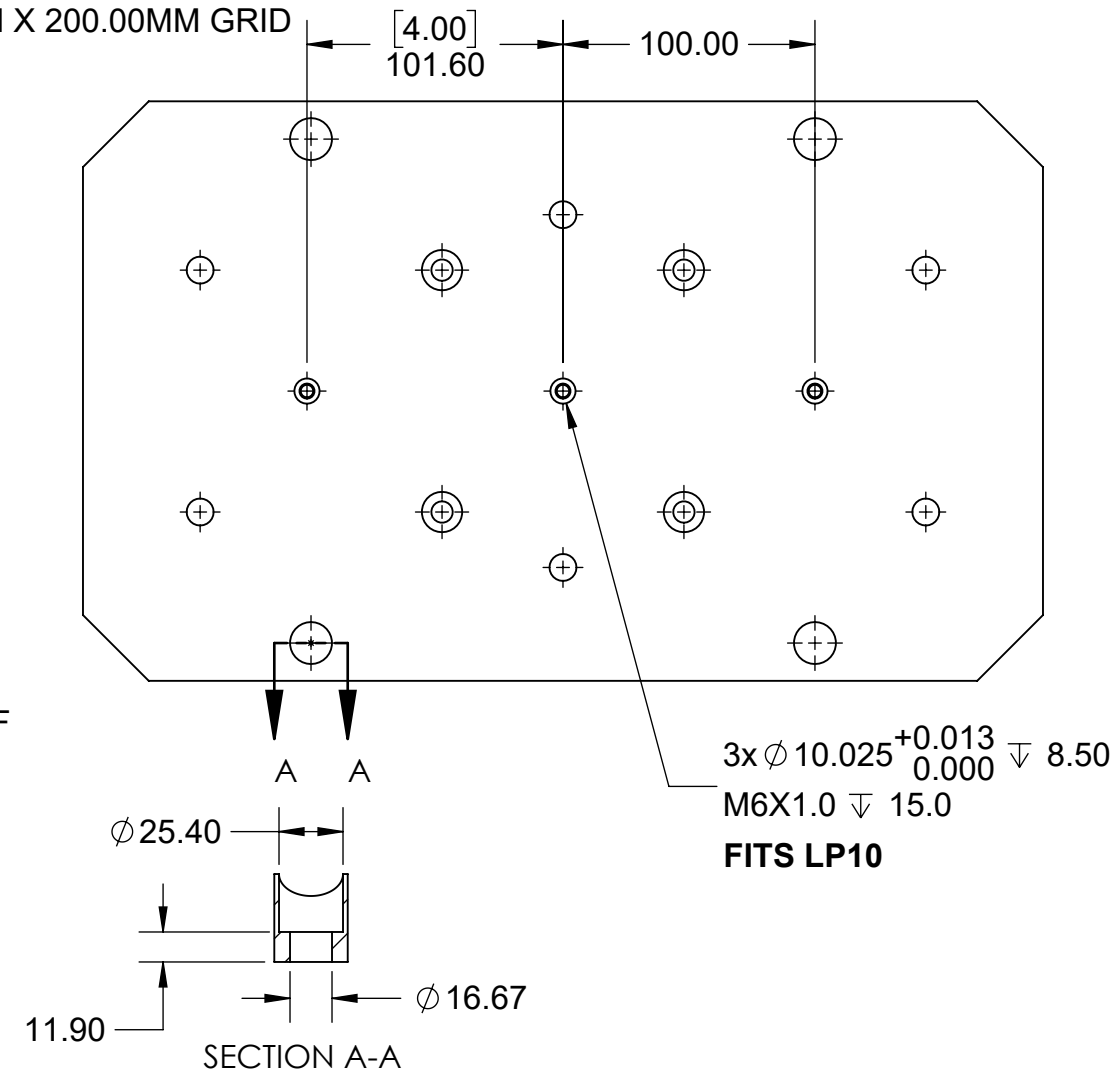
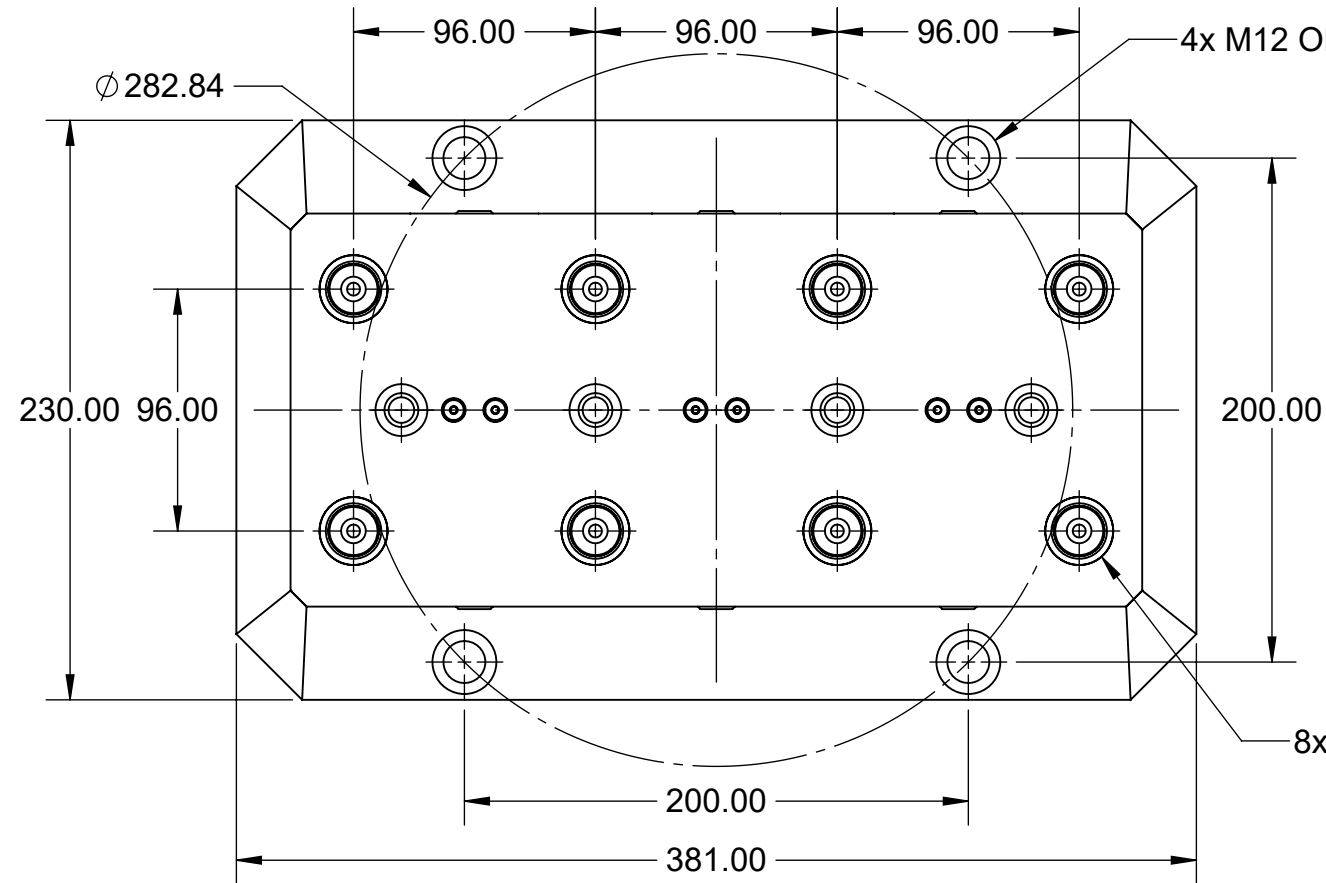
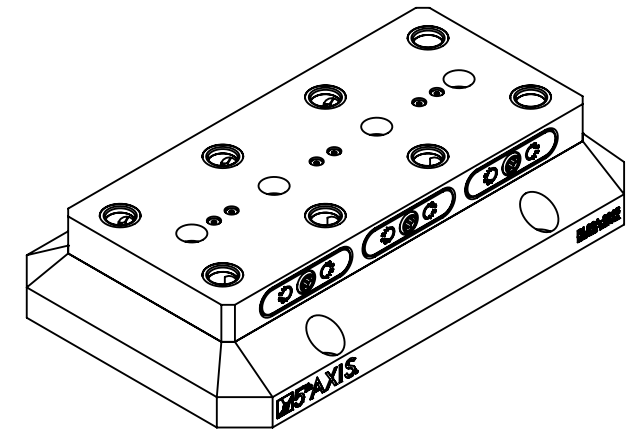


**MATERIAL:**  
**RL96A-3915: 6061 ALUMINUM BODY**

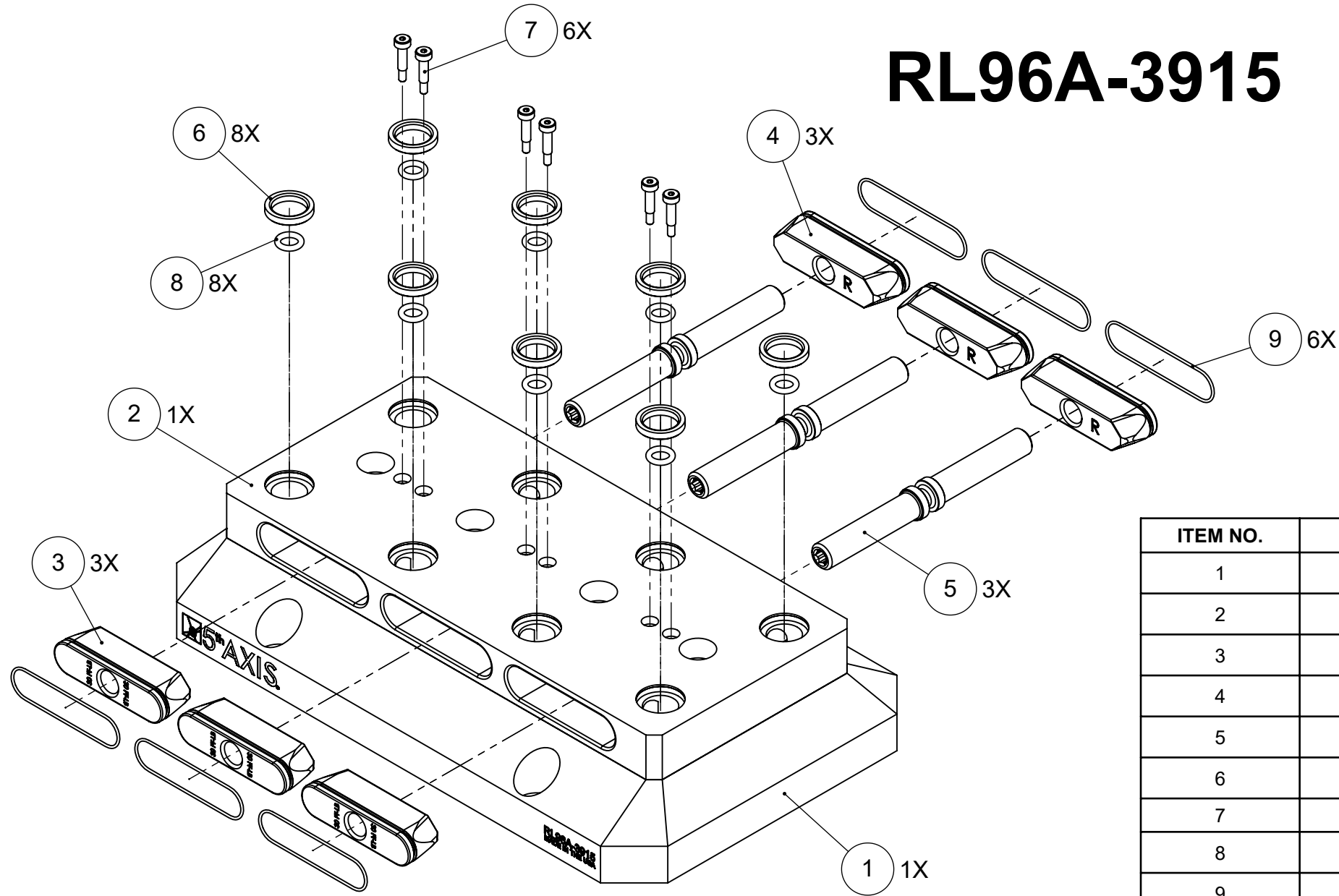
# RL96A-3915



<b>MILLIMETER</b> <small>DRAWN IN ACCORDANCE WITH ASME Y14.5-2009</small>  WWW.5THAXIS.COM  7140 ENGINEER ROAD SAN DIEGO, CA 92111  P (858) 505-0432 F (858) 505-9344	<b>TOLERANCES</b> <small>UNLESS OTHERWISE SPECIFIED</small> x ± 0.1    .xx ± 0.01 .x ± 0.05    .xxx ± 0.005 ANGULAR ± 0.5° THIRD ANGLE PROJECTION			
		DESCRIPTION: <b>ROCKLOCK™ 96MM MULTI-POSITION RISER</b>		
SIZE: <b>B</b>	PART NO.: <b>RL96A-3915</b>	WEIGHT:	SHEET 1 OF 2	REV: <b>A</b>

**MATERIAL:**  
**RL96A-3915: 6061 ALUMINUM BODY**

# RL96A-3915



ITEM NO.	PART NUMBER	DESCRIPTION	QTY.
1	R96-613VCU5	ROCKLOCK™ RISER	1
2	RL96-1613S1A	ROCKLOCK™ BASE	1
3	RL96-2L	LEFT ROCKLOCK™ TRUCK	3
4	RL96-2R	RIGHT ROCKLOCK™ TRUCK	3
5	RL96-3	ROCKLOCK™ LEAD SCREW	3
6	27X20.DB	PRECISION BUSHING	8
7	SB54	SHOULDER BOLT	6
8	9452K183	BASE O-RING	8
9	9452K121	TRUCK O-RING	6
10	9750K73	PLASTIC PLUG (NOT SHOWN)	8

**FOR REFERENCE ONLY - NOT FOR RESALE**

<b>MILLIMETER</b> <small>DRAWN IN ACCORDANCE WITH ASME Y14.5-2009</small>  <small>WWW.5THAXIS.COM</small>  <small>7140 ENGINEER ROAD  SAN DIEGO, CA 92111</small>  <small>P (858) 505-0432  F (858) 505-9344</small>	<b>TOLERANCES</b> <small>UNLESS OTHERWISE SPECIFIED</small> x ± 0.1    .xx ± 0.01 .x ± 0.05    .xxx ± 0.005 ANGULAR ± 0.5° <small>THIRD ANGLE PROJECTION</small>			
		<b>DESCRIPTION</b> <b>ROCKLOCK™ 96MM MULTI-POSITION RISER</b>		
<small>DO NOT SCALE DRAWING</small>		<b>SIZE</b> <b>B</b>	<b>PART NO.</b> <b>RL96A-3915</b>	<b>REV</b> <b>A</b>
<small>SCALE 1:3</small>		<small>WEIGHT:</small>		<small>SHEET 2 OF 2</small>