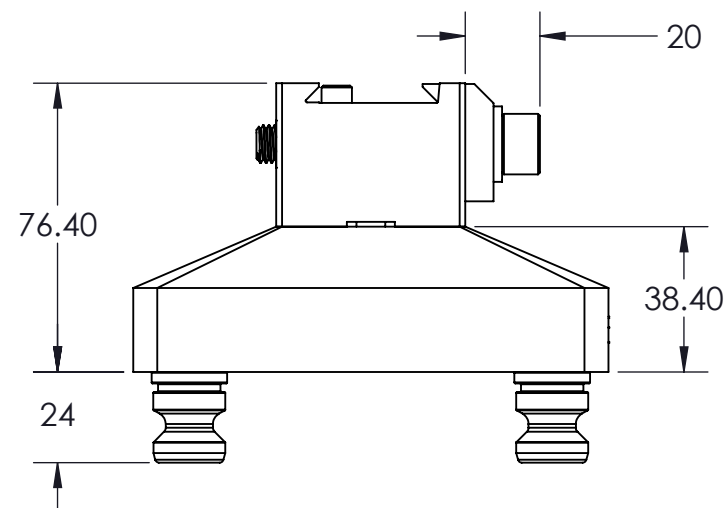
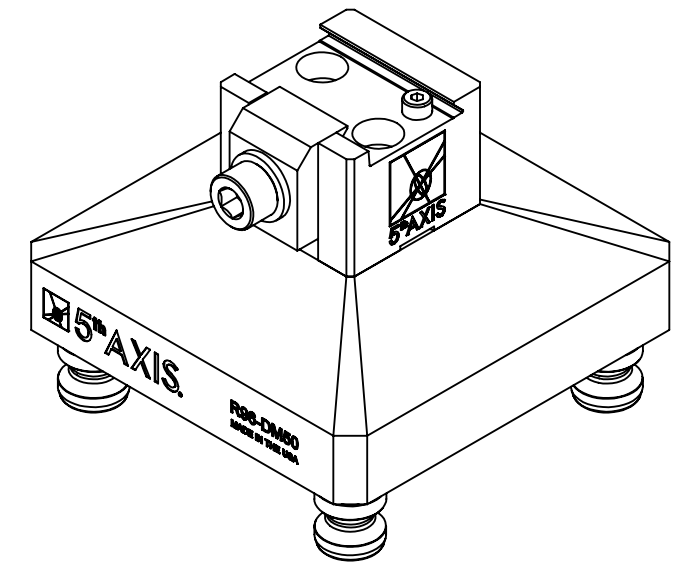
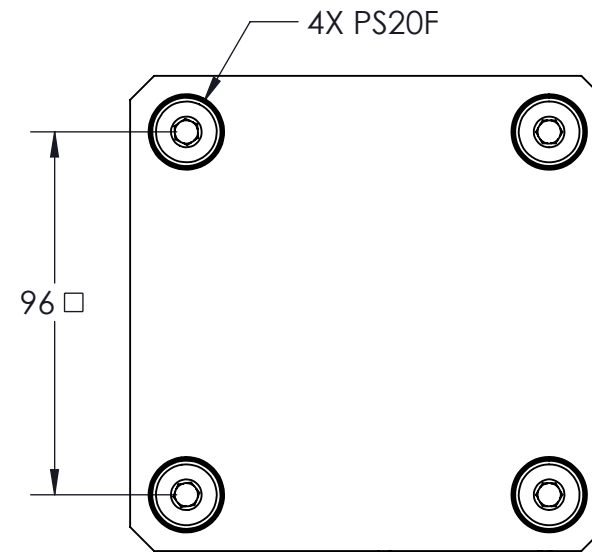
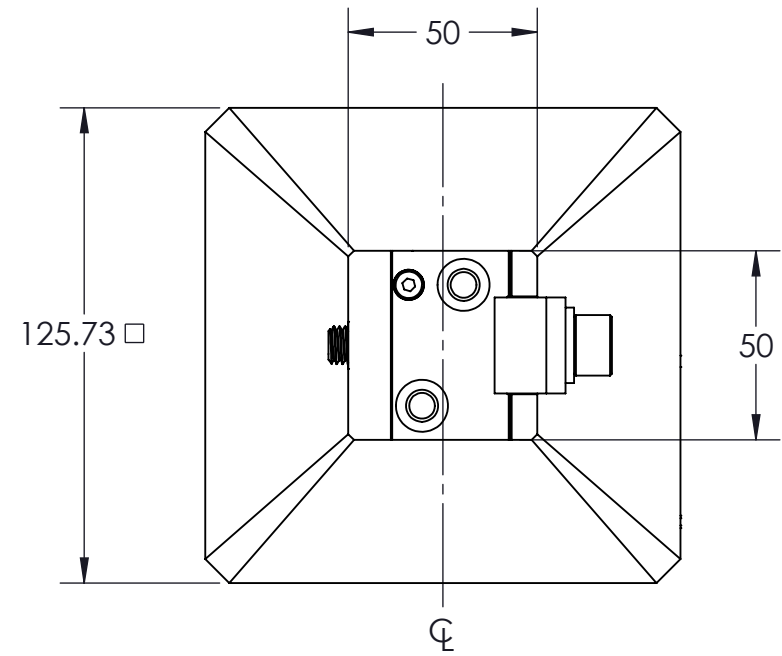


R96-DM50



MILLIMETER <small>DRAWN IN ACCORDANCE WITH ASME Y14.5-2009</small>		TOLERANCES <small>UNLESS OTHERWISE SPECIFIED</small>			5th AXIS <small>WWW.FIFTHAXIS.COM 7140 ENGINEER ROAD SAN DIEGO, CA 92111 P (858) 505-0432 F (858) 505-9344</small>
PROPRIETARY AND CONFIDENTIAL		<small>X ± 1.0 .X ± 0.3 ANGLULAR ± 0.5° .XX ± 0.13</small>			
<small>THE INFORMATION CONTAINED IN THIS DRAWING IS THE SOLE PROPERTY OF FIFTH AXIS, INC. ANY REPRODUCTION IN PART OR AS A WHOLE WITHOUT THE WRITTEN PERMISSION OF FIFTH AXIS, INC. IS PROHIBITED.</small>		<small>THIRD ANGLE PROJECTION</small>		DESCRIPTION ROCKLOCK™ 96MM DM50 FIXTURE	
<small>DO NOT SCALE DRAWING</small>		<small>SCALE 1:2</small>		<small>WEIGHT:</small>	
SIZE B		PART NO. R96-DM50		REV A	
<small>SHEET 1 OF 1</small>		<small>SHEET 1 OF 1</small>		<small>SHEET 1 OF 1</small>	