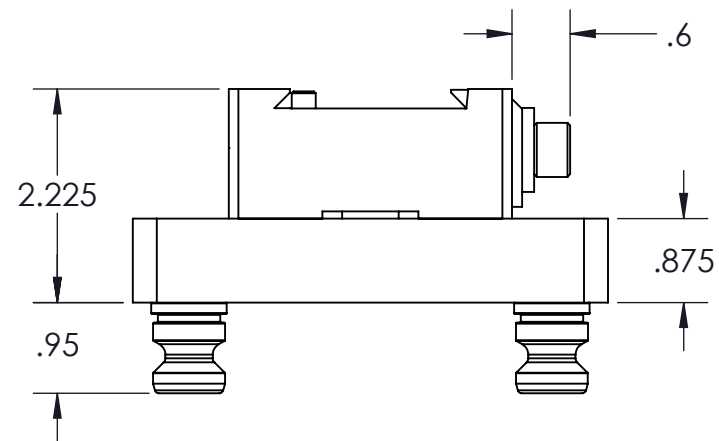
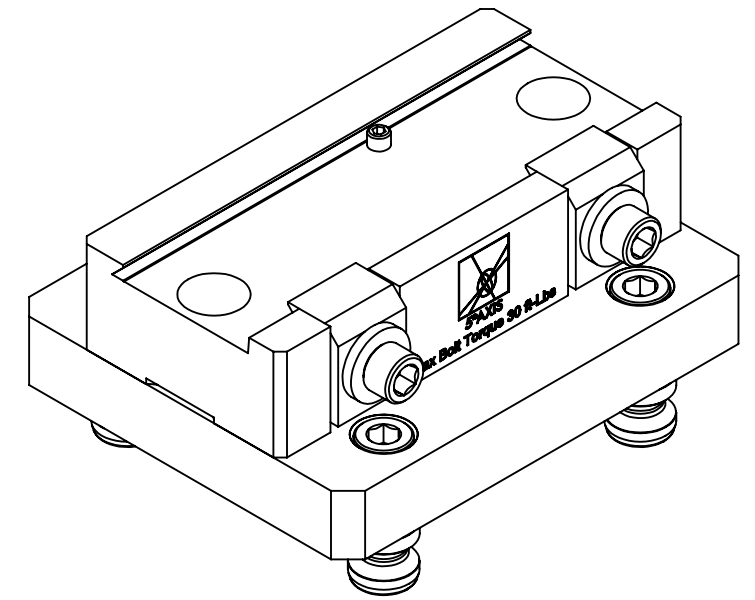
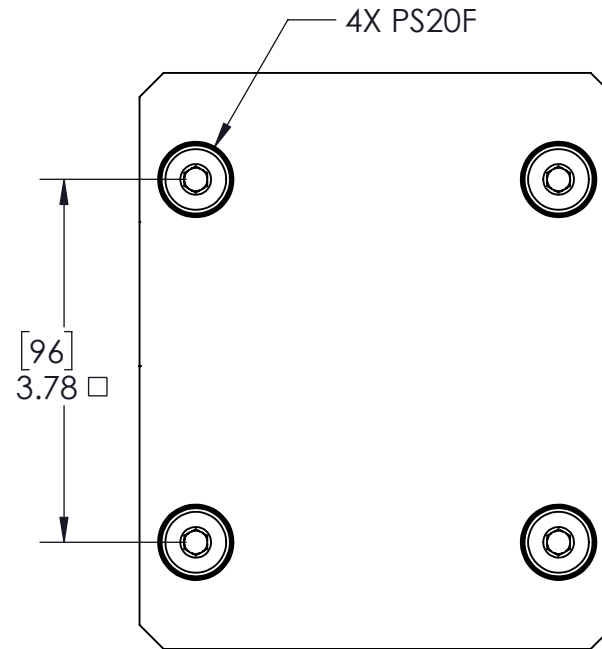
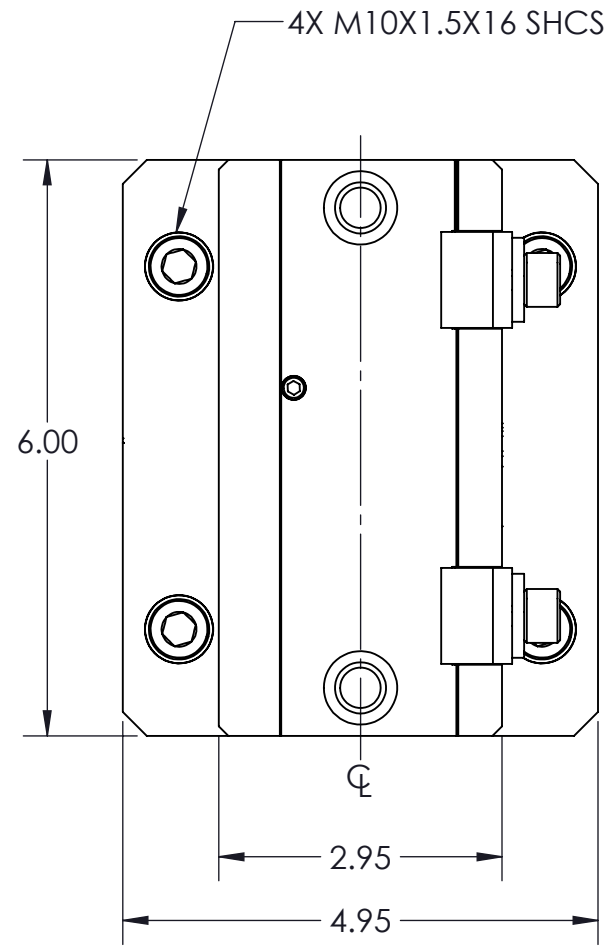

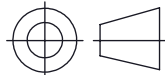


# R96-D362



<b>INCH</b> <small>DRAWN IN ACCORDANCE WITH ASME Y14.5-2009</small> <b>PROPRIETARY AND CONFIDENTIAL</b> <small>THE INFORMATION CONTAINED IN THIS DRAWING IS THE SOLE PROPERTY OF FIFTH AXIS, INC. ANY REPRODUCTION IN PART OR AS A WHOLE WITHOUT THE WRITTEN PERMISSION OF FIFTH AXIS, INC. IS PROHIBITED.</small>	<b>TOLERANCES</b> <small>UNLESS OTHERWISE SPECIFIED</small> X ± 0.1    .XX ± 0.01 .X ± 0.05    .XXX ± 0.005 ANGULAR ± 0.5°	 <b>5<sup>th</sup> AXIS</b> <small>WWW.FIFTHAXIS.COM          7140 ENGINEER ROAD          SAN DIEGO, CA 92111          P (858) 505-0432 F (858) 505-9344</small>	DESCRIPTION <b>ROCKLOCK™ 96MM D362 FIXTURE</b>	
	<small>THIRD ANGLE PROJECTION</small> 			SIZE   PART NO.   REV <b>B</b>   R96-D362   A
<small>DO NOT SCALE DRAWING</small>		<small>SCALE 1:2</small>	<small>WEIGHT:</small>	<small>SHEET 1 OF 1</small>