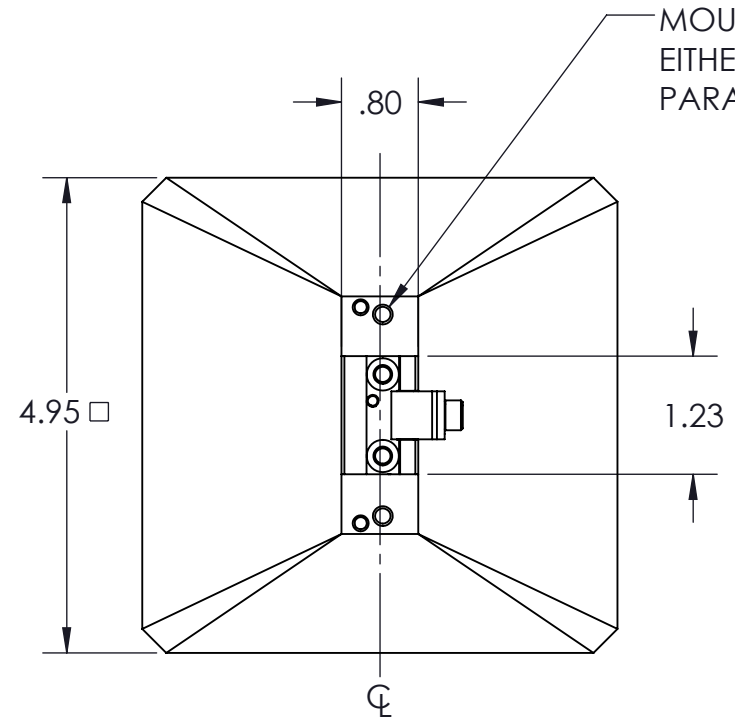
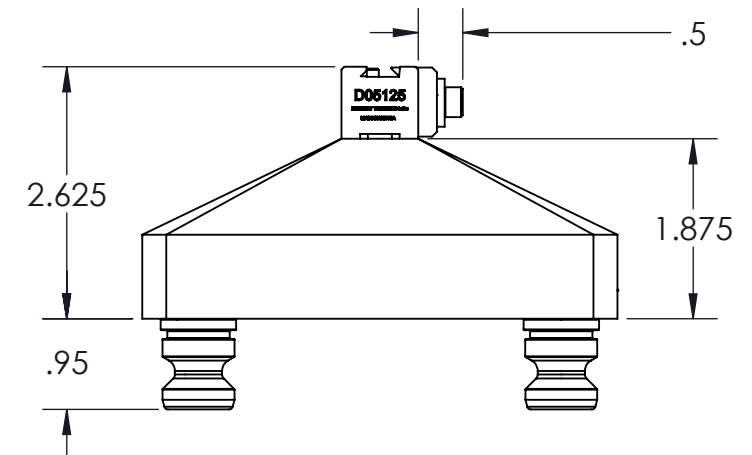
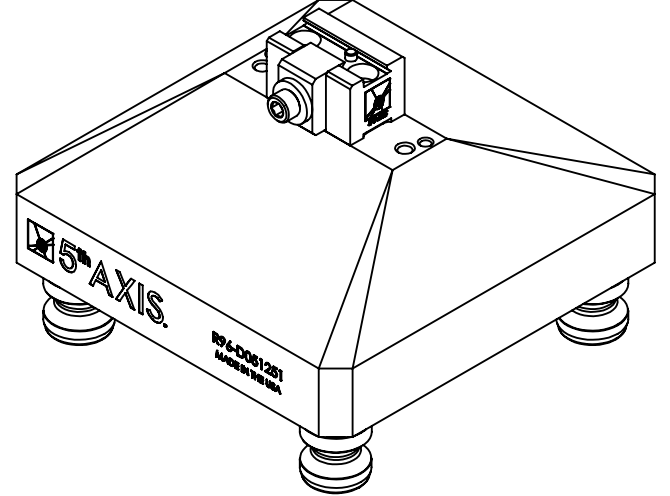
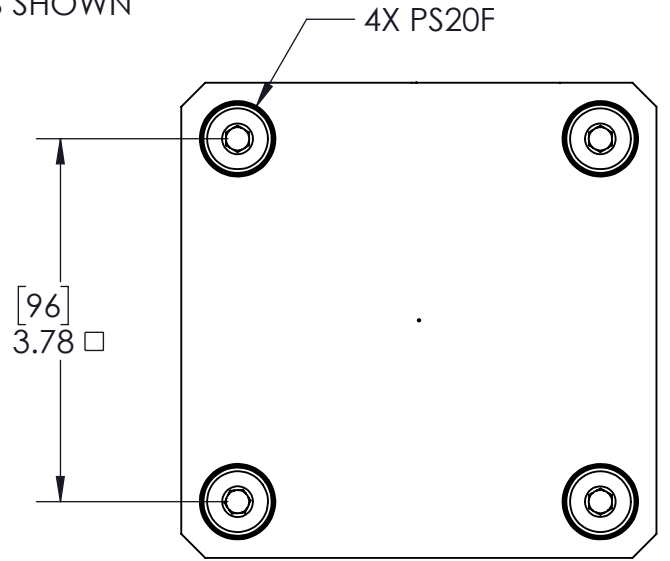


R96-D05125



MOUNTING HOLES CAN ACCOMMODATE EITHER TWO D05125 FIXTURES MOUNTED IN PARALLEL OR ONE D05125 CENTERED AS SHOWN



INCH <small>DRAWN IN ACCORDANCE WITH ASME Y14.5-2009</small> PROPRIETARY AND CONFIDENTIAL <small>THE INFORMATION CONTAINED IN THIS DRAWING IS THE SOLE PROPERTY OF FIFTH AXIS, INC. ANY REPRODUCTION IN PART OR AS A WHOLE WITHOUT THE WRITTEN PERMISSION OF FIFTH AXIS, INC. IS PROHIBITED.</small>	TOLERANCES <small>UNLESS OTHERWISE SPECIFIED</small> X ± 0.1 .XX ± 0.01 .X ± 0.05 .XXX ± 0.005 ANGULAR ± 0.5°	WWW.FIFTHAXIS.COM 7140 ENGINEER ROAD SAN DIEGO, CA 92111 P (858) 505-0432 F (858) 505-9344		
	THRID ANGLE PROJCTON 		DESCRIPTION ROCKLOCK™ 96MM D05125 FIXTURE	
SIZE B	PART NO. R96-D05125	REV A		
<small>DO NOT SCALE DRAWING</small>		<small>SCALE 1:2</small>	<small>WEIGHT:</small>	<small>SHEET 1 OF 1</small>