

8

7

6

5

4

3

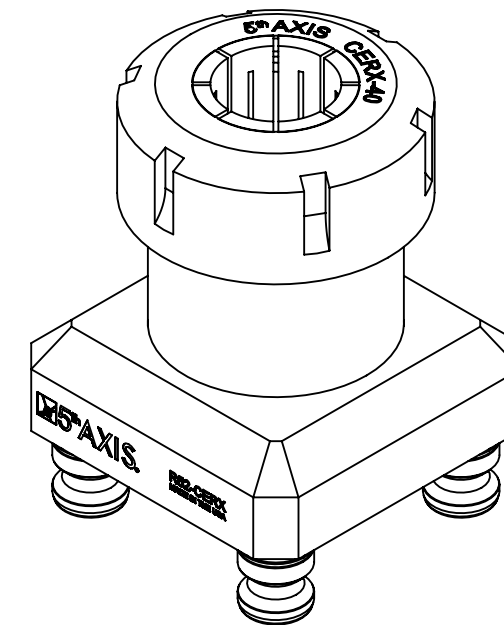
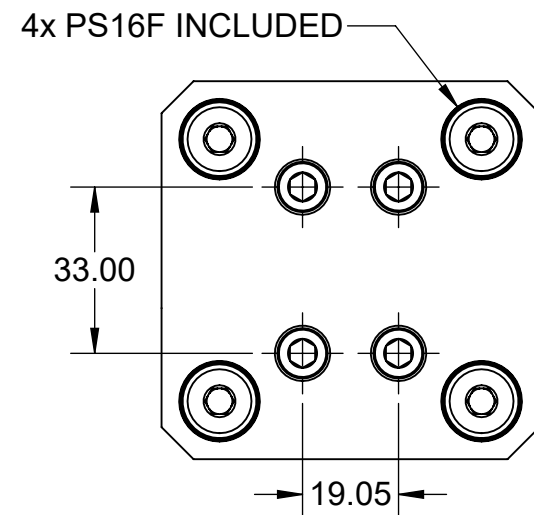
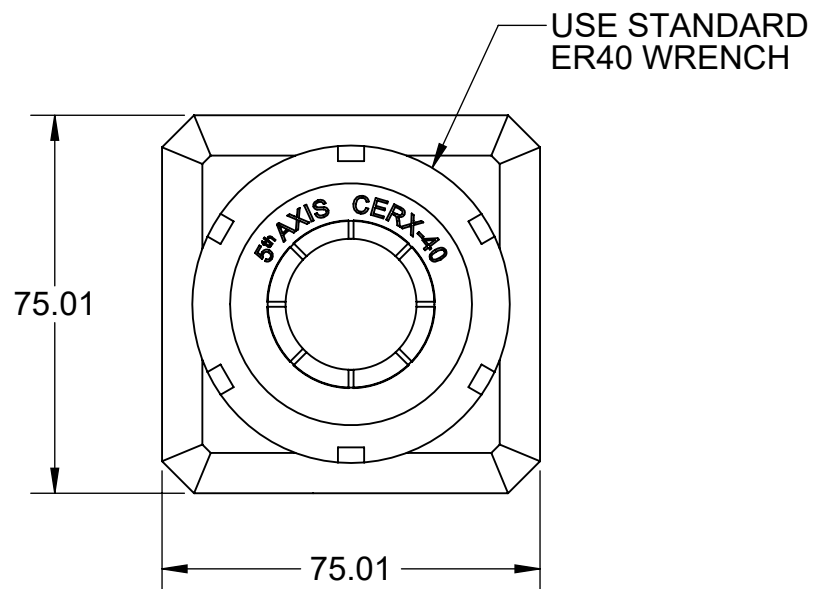
2

1

D

D

R52-CERX-40

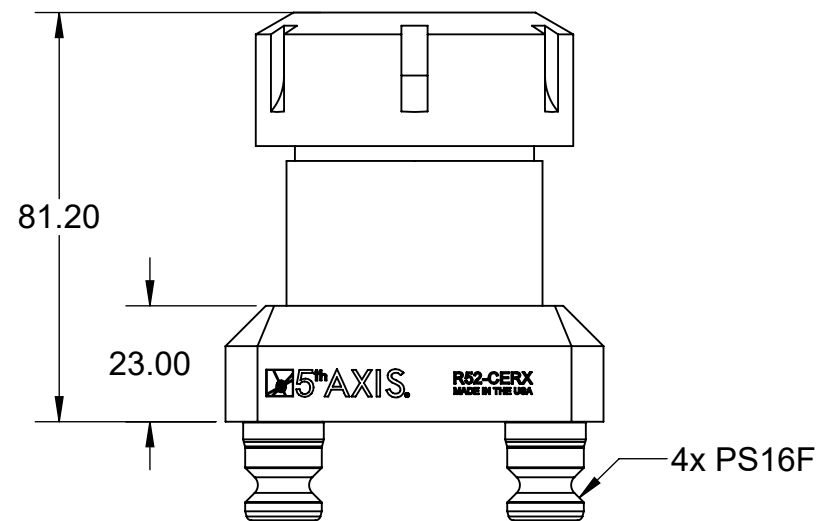


C

C


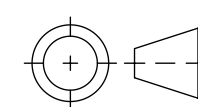
B

B



A

A

MILLIMETER		TOLERANCES UNLESS OTHERWISE SPECIFIED			
DRAWN IN ACCORDANCE WITH ASME Y14.5-2009		x ± 0.1 .xx ± 0.01 .x ± 0.05 .xxx ± 0.005 ANGULAR ± 0.5° THIRD ANGLE PROJECTION			
WWW.5THAXIS.COM				DESCRIPTION ROUND BAR FIXTURE TOP TOOLING	
7140 ENGINEER ROAD SAN DIEGO, CA 92111		SIZE B	PART NO. R52-CERX-40	REV A	
P (858) 505-0432 F (858) 505-9344		DO NOT SCALE DRAWING		SCALE 2:3	WEIGHT:
				SHEET 1 OF 2	

8

7

6

5

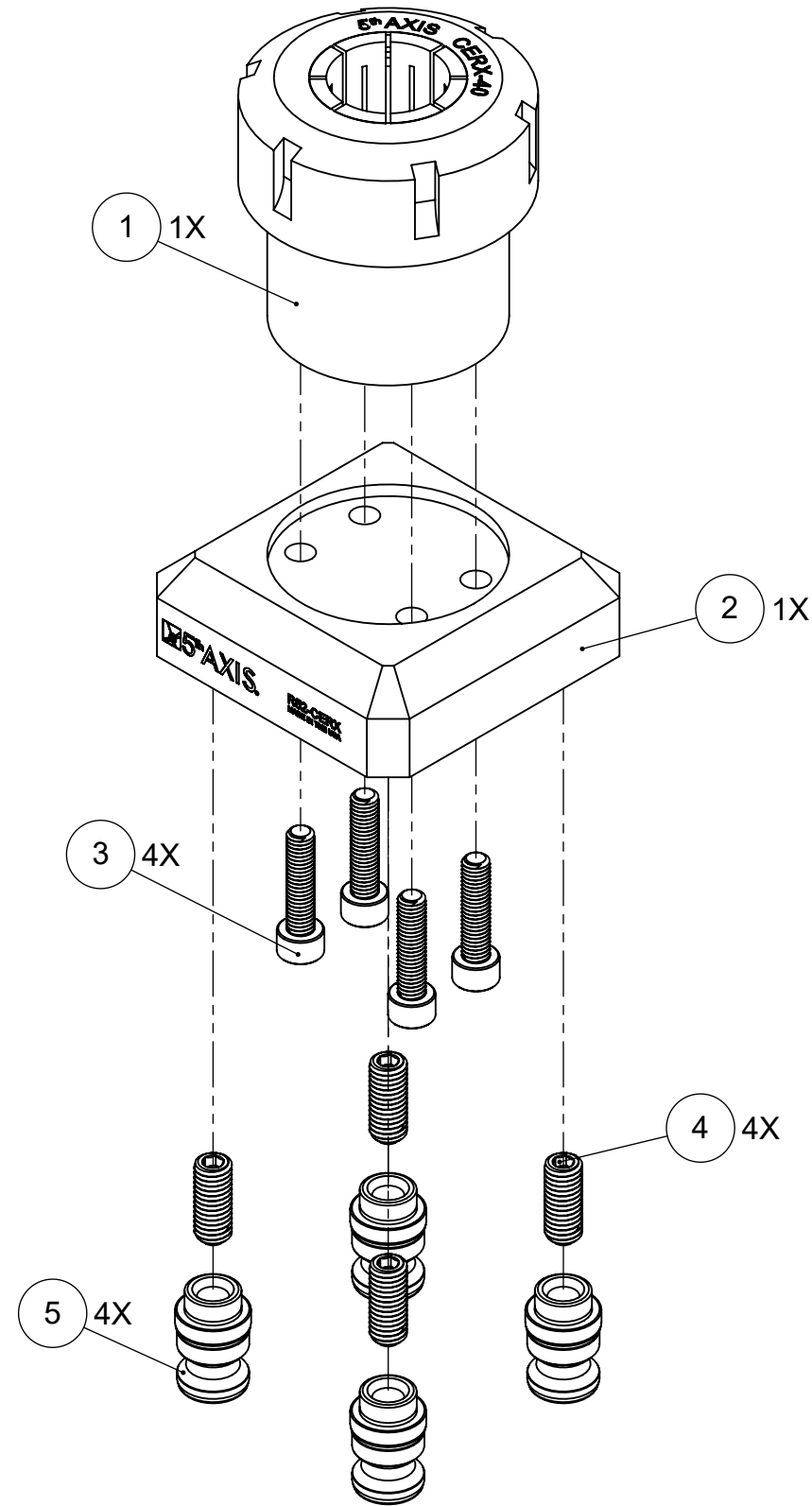
4

3


2

1

R52-CERX-40



ITEM NO.	PART NUMBER	DESCRIPTION	QTY.
1	CERX-40	ROUND BAR FIXTURE	1
2	R52-CERX	ADAPTER	1
3	91290A330	M6-1mm x 25mm SHCS	4
4	91390A145	SET SCREW	4
5	PS16F-1	PULL STUD BODY	4
FOR REFERENCE ONLY - NOT FOR RESALE			

MILLIMETER <small>DRAWN IN ACCORDANCE WITH ASME Y14.5-2009</small> <small>WWW.5THAXIS.COM</small> <small>7140 ENGINEER ROAD SAN DIEGO, CA 92111</small> <small>P (858) 505-0432 F (858) 505-9344</small>	TOLERANCES <small>UNLESS OTHERWISE SPECIFIED</small> x ± 0.1 .xx ± 0.01 .x ± 0.05 .xxx ± 0.005 ANGULAR ± 0.5° THIRD ANGLE PROJECTION			
		DESCRIPTION ROUND BAR FIXTURE TOP TOOLING		
		SIZE B	PART NO. R52-CERX-40	REV A
		DO NOT SCALE DRAWING	SCALE 2:3	WEIGHT:
				SHEET 2 OF 2