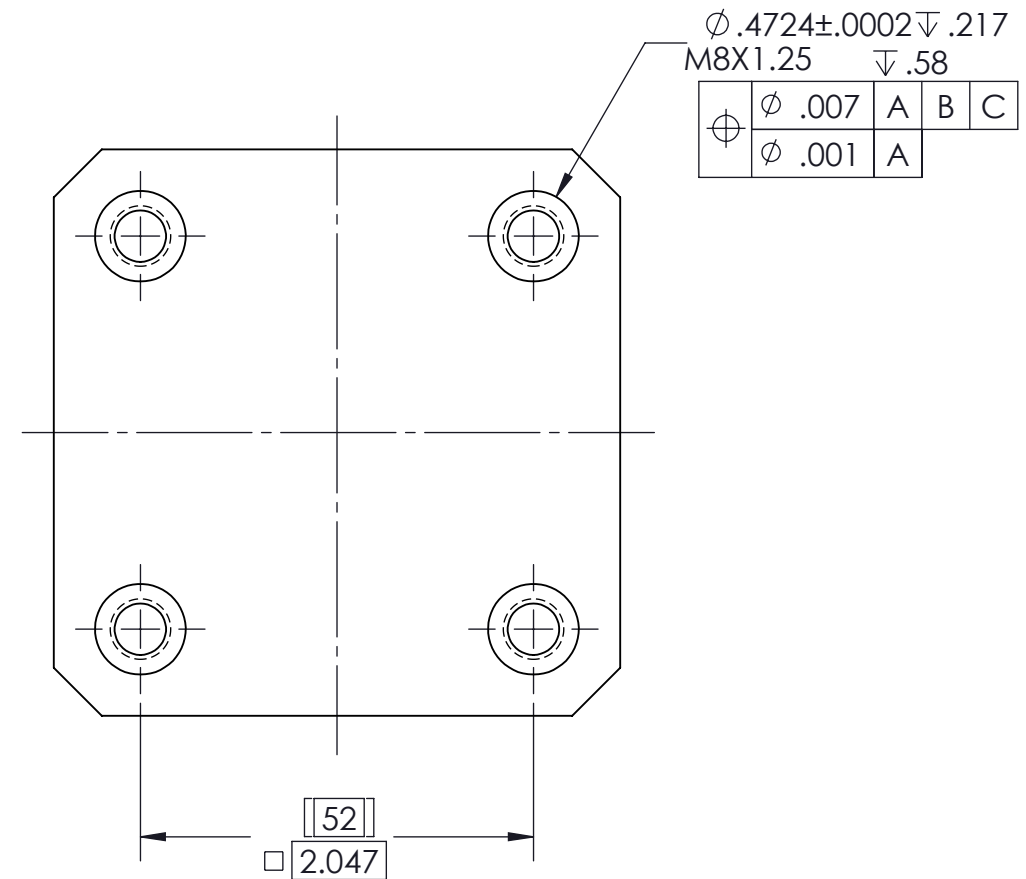
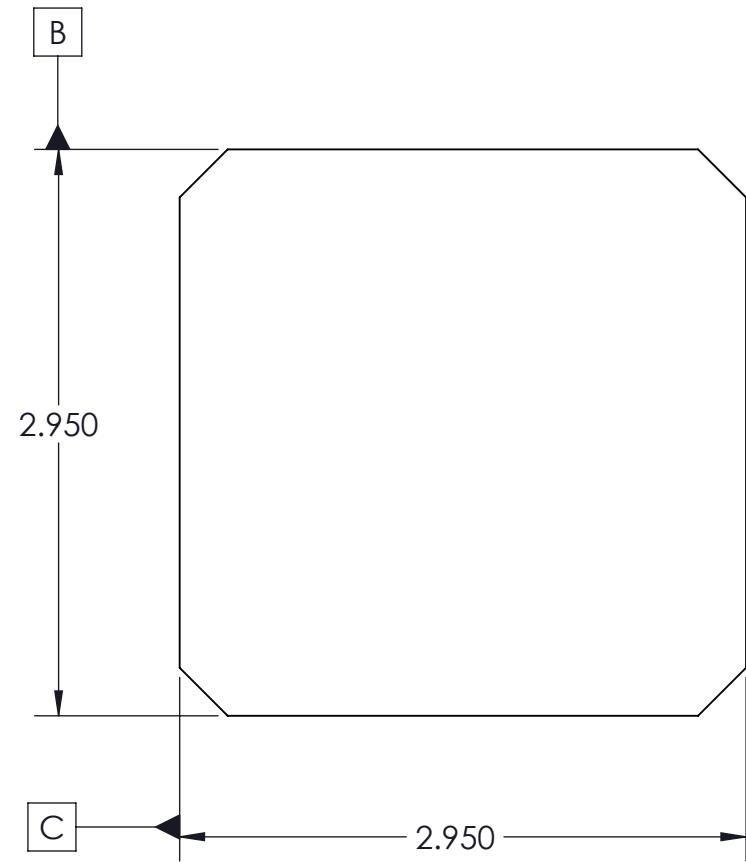
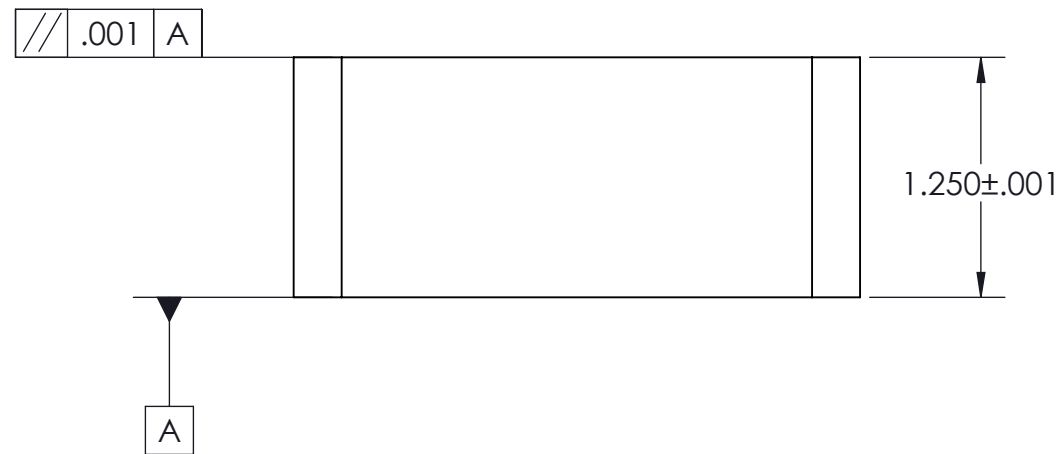


R52-B



$\phi .4724 \pm .0002 \downarrow .217$
M8X1.25 $\downarrow .58$

ϕ	$\phi .007$	A	B	C
ϕ	$\phi .001$	A		



INCH <small>DRAWN IN ACCORDANCE WITH ASME Y14.5-2009</small> PROPRIETARY AND CONFIDENTIAL	TOLERANCES <small>UNLESS OTHERWISE SPECIFIED</small> X ± 0.1 .XX ± 0.01 .X ± 0.05 .XXX ± 0.005 ANGULAR ± 0.5°		<small>WWW.FIFTHAXIS.COM</small> 7140 ENGINEER ROAD SAN DIEGO, CA 92111 P (858) 505-0432 F (858) 505-9344
	<small>THE INFORMATION CONTAINED IN THIS DRAWING IS THE SOLE PROPERTY OF FIFTH AXIS, INC. ANY REPRODUCTION IN PART OR AS A WHOLE WITHOUT THE WRITTEN PERMISSION OF FIFTH AXIS, INC. IS PROHIBITED.</small>		
<small>DESCRIPTION</small> 52MM ROCKLOCK™ BLANK		<small>SIZE</small> B	<small>PART NO.</small> R52-B
<small>DO NOT SCALE DRAWING</small>		<small>SCALE</small> 1:1	<small>WEIGHT:</small>
		<small>SHEET</small> 1 OF 1	<small>REV</small> A