

8

7

6

5

4

3

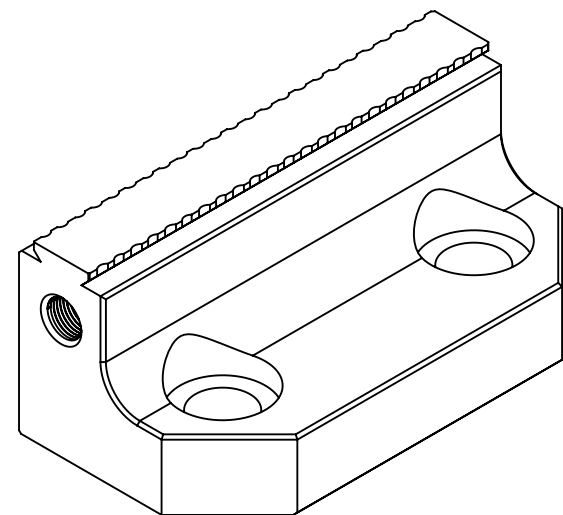
2

1

D

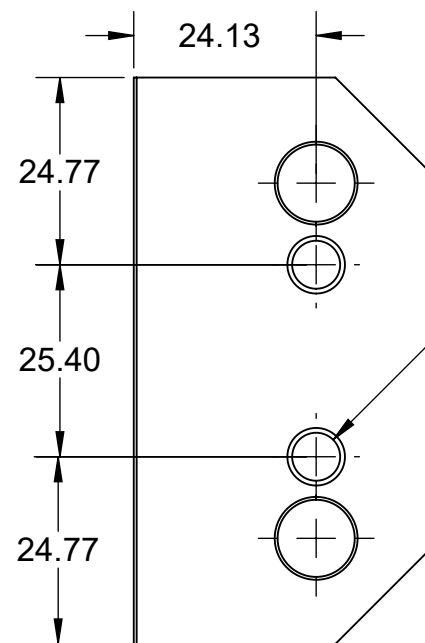
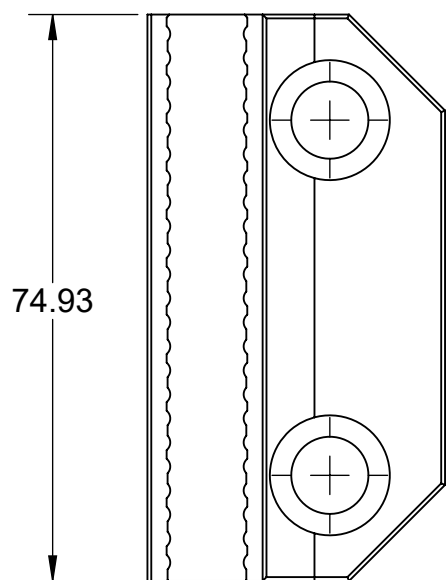
D

# NT5-S



C

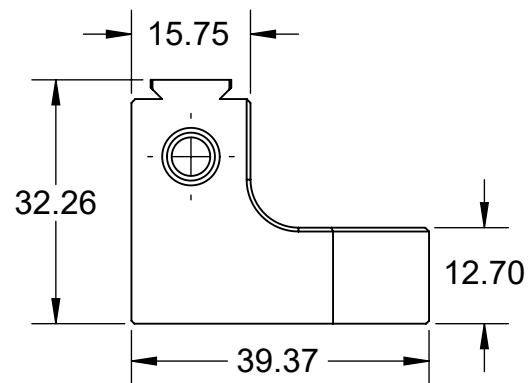
C



2X  $\phi$  6.36<sup>+0.01</sup>/<sub>0.00</sub>  $\nabla$  6.86  
 $\nabla$   $\phi$  7.63 X 90°, NEAR SIDE


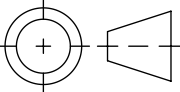
B

B



A

A

<b>MILLIMETER</b>		<b>TOLERANCES</b> UNLESS OTHERWISE SPECIFIED			
DRAWN IN ACCORDANCE WITH ASME Y14.5-2009		x ± 0.1    .xx ± 0.01 .x ± 0.05    .xxx ± 0.005 ANGULAR ± 0.5° THIRD ANGLE PROJECTION			
WWW.5THAXIS.COM				DESCRIPTION <b>REPLACEMENT MASTER JAW</b>	
7140 ENGINEER ROAD SAN DIEGO, CA 92111		SIZE <b>B</b>	PART NO. <b>NT5-S</b>	REV <b>A</b>	
P (858) 505-0432 F (858) 505-9344		DO NOT SCALE DRAWING		SCALE 1:1	WEIGHT:
				SHEET 1 OF 1	

8

7

6

5

4

3

2

1