

8

7

6

5

4

3

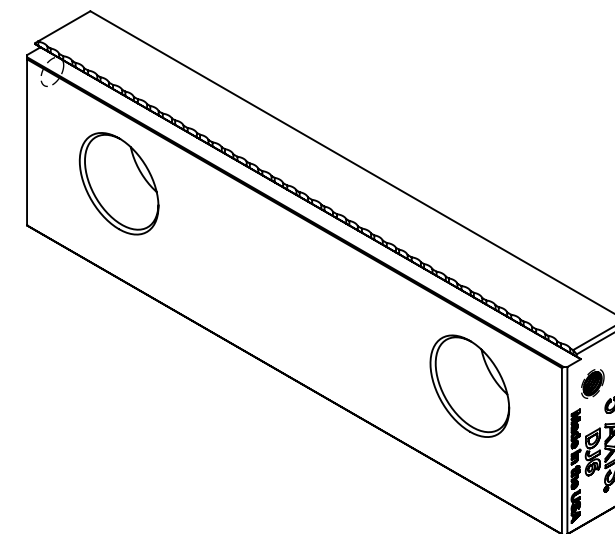
2

1

D

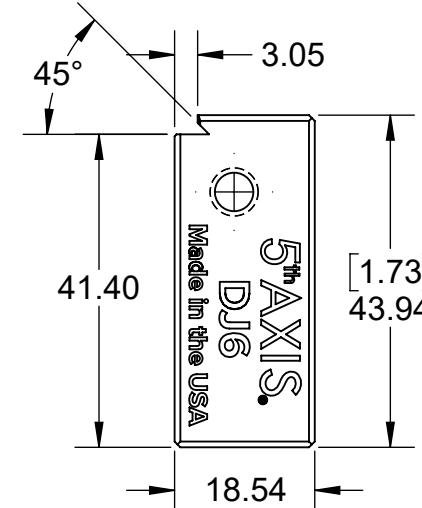
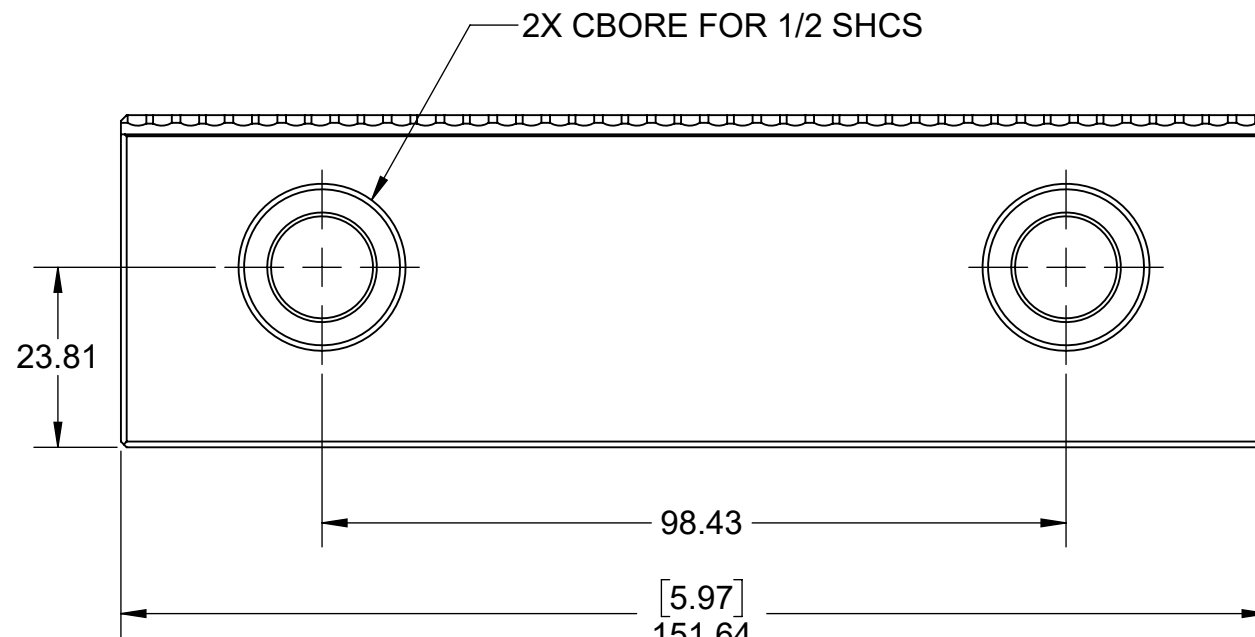
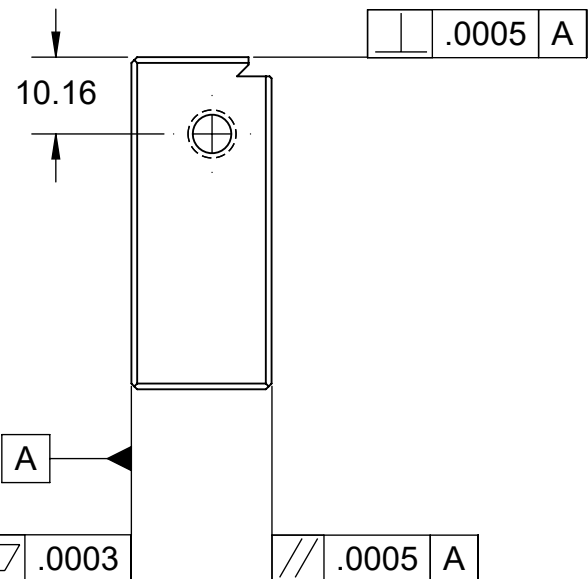
D

# DJ6



C

C


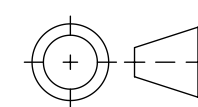


B

B

A

A

<b>MILLIMETER</b> <small>DRAWN IN ACCORDANCE WITH ASME Y14.5-2009</small>	<b>TOLERANCES</b> <small>UNLESS OTHERWISE SPECIFIED</small> x ± 0.1    .xx ± 0.01 .x ± 0.05    .xxx ± 0.005 ANGULAR ± 0.5° THIRD ANGLE PROJECTION											
		<b>DESCRIPTION</b> 6" VICE JAWS										
WWW.5THAXIS.COM 7140 ENGINEER ROAD SAN DIEGO, CA 92111 P (858) 505-0432 F (858) 505-9344		<table border="1"> <tr> <td>SIZE</td> <td>PART NO.</td> <td>REV</td> </tr> <tr> <td><b>B</b></td> <td><b>DJ6</b></td> <td><b>A</b></td> </tr> </table>	SIZE	PART NO.	REV	<b>B</b>	<b>DJ6</b>	<b>A</b>	DO NOT SCALE DRAWING	SCALE 1:1	WEIGHT: 1.916	SHEET 1 OF 1
SIZE	PART NO.	REV										
<b>B</b>	<b>DJ6</b>	<b>A</b>										

8

7

6

5

4

3

2

1