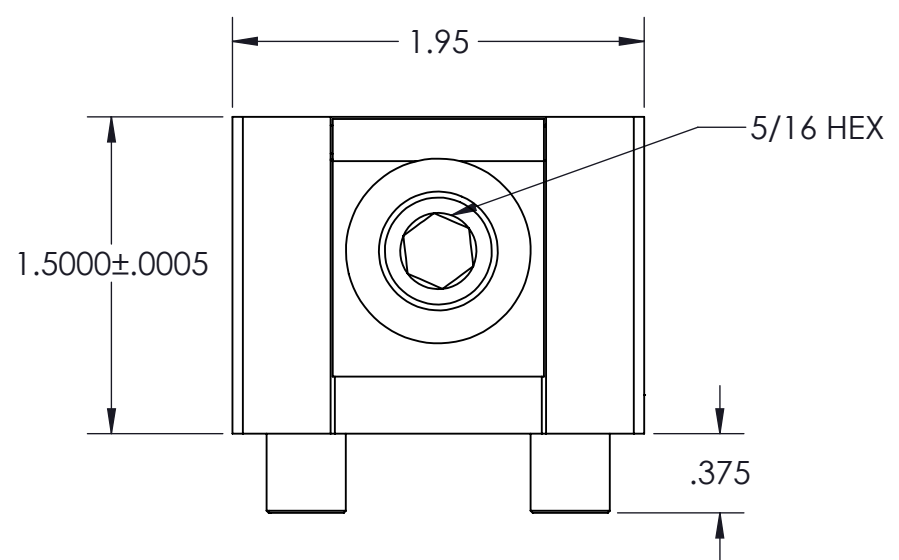
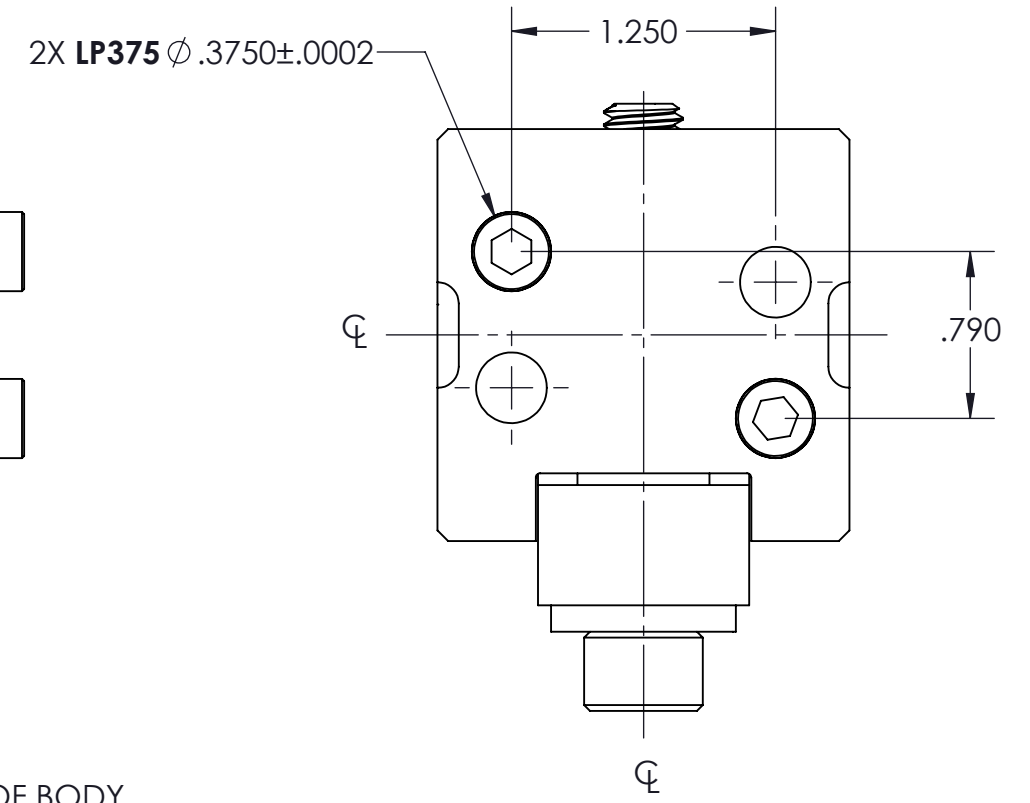
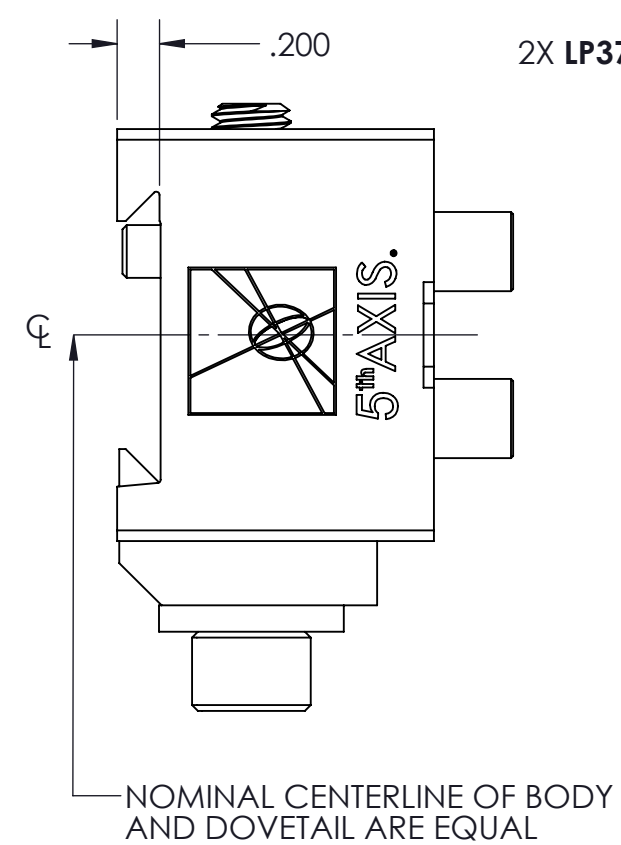
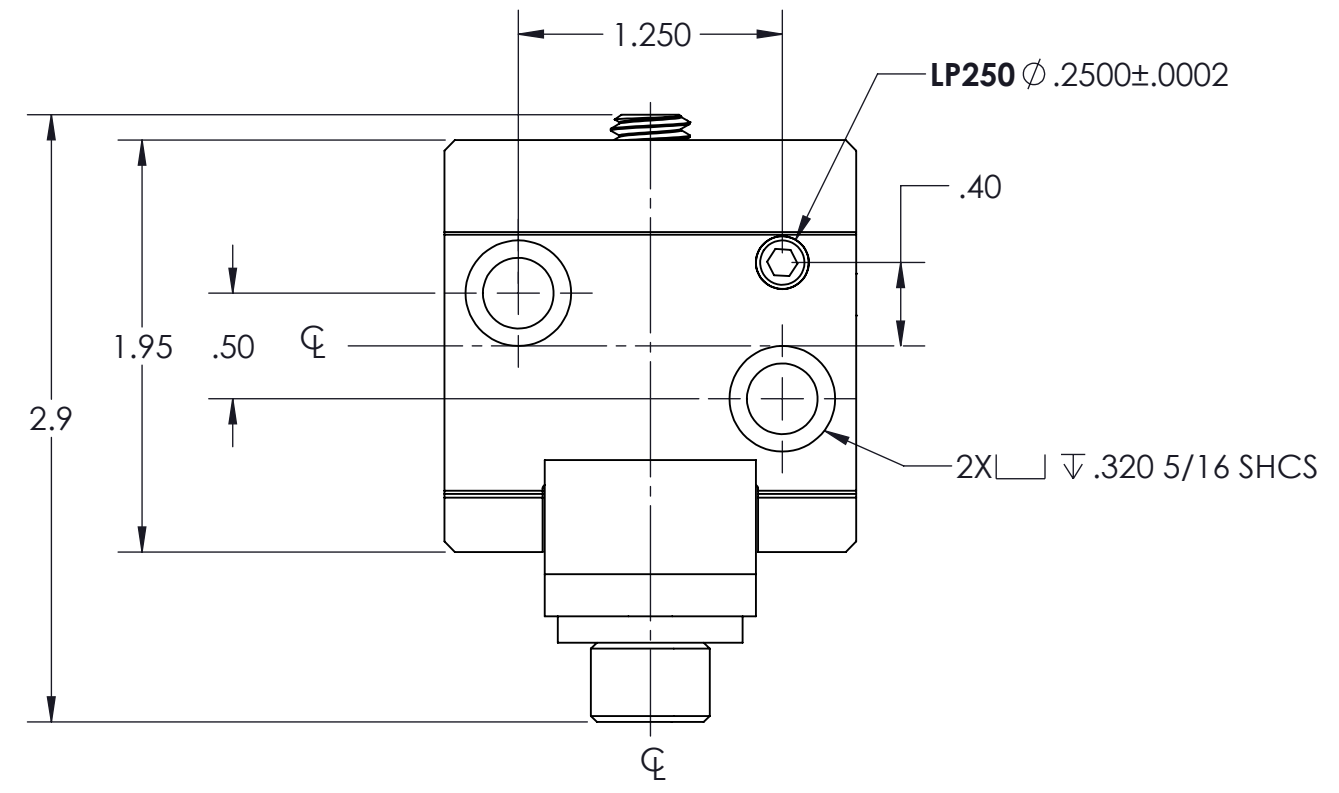
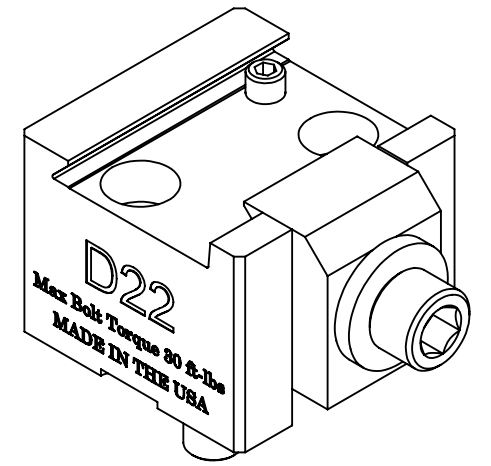


D22



INCH <small>DRAWN IN ACCORDANCE WITH ASME Y14.5-2009</small> PROPRIETARY AND CONFIDENTIAL <small>THE INFORMATION CONTAINED IN THIS DRAWING IS THE SOLE PROPERTY OF FIFTH AXIS, INC. ANY REPRODUCTION IN PART OR AS A WHOLE WITHOUT THE WRITTEN PERMISSION OF FIFTH AXIS, INC. IS PROHIBITED.</small>	TOLERANCES <small>UNLESS OTHERWISE SPECIFIED</small> X ± 0.1 .XX ± 0.01 .X ± 0.05 .XXX ± 0.005 ANGULAR ± 0.5°	WWW.FIFTHAXIS.COM 7140 ENGINEER ROAD SAN DIEGO, CA 92111 P (858) 505-0432 F (858) 505-9344		
	<small>THIRD ANGLE PROJECTION</small> 		DESCRIPTION DOVETAIL FIXTURE, 2"	
SIZE B	PART NO. D22	REV B		
<small>DO NOT SCALE DRAWING</small>		<small>SCALE 2:1</small>	<small>WEIGHT: 1.4331 LBS</small>	<small>SHEET 1 OF 1</small>