

8

7

6

5

4

3

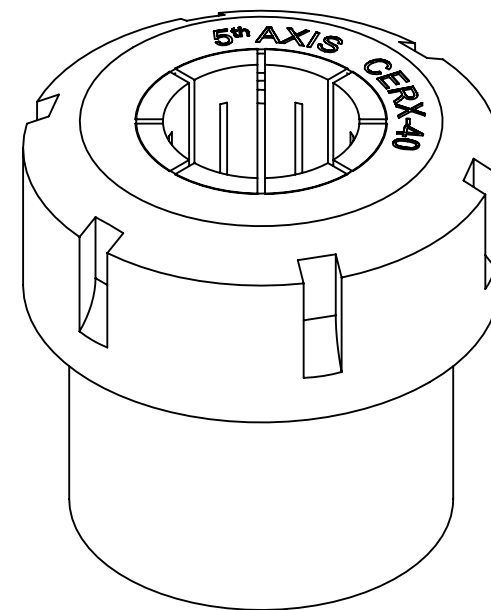
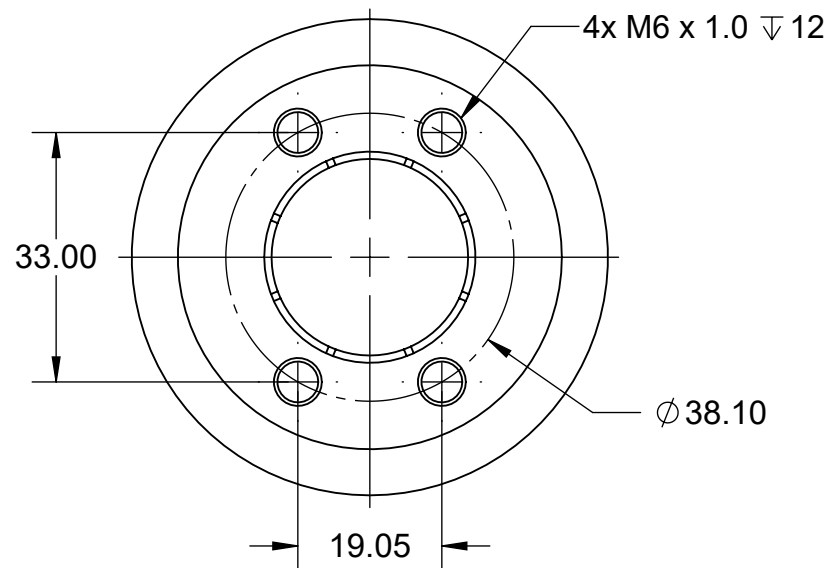
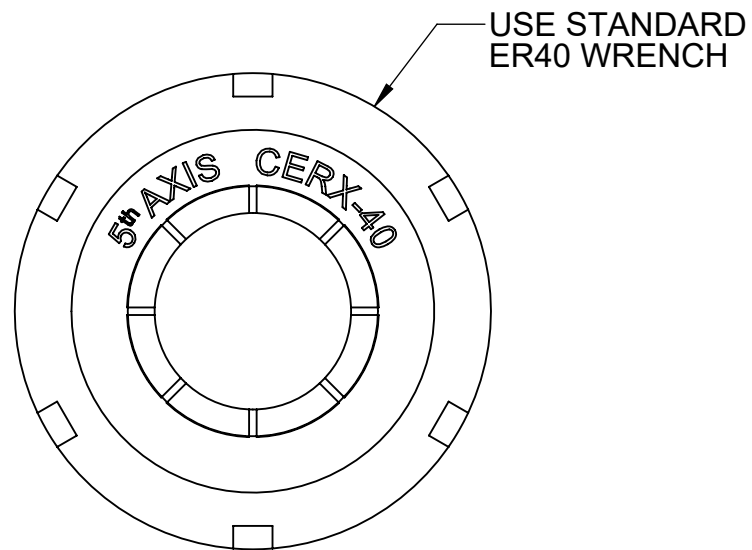
2

1

D

D

# CERX-40

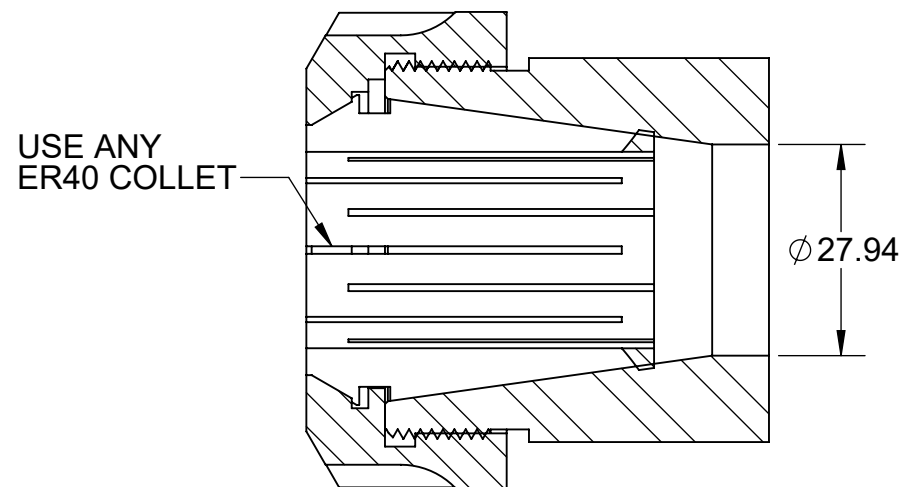
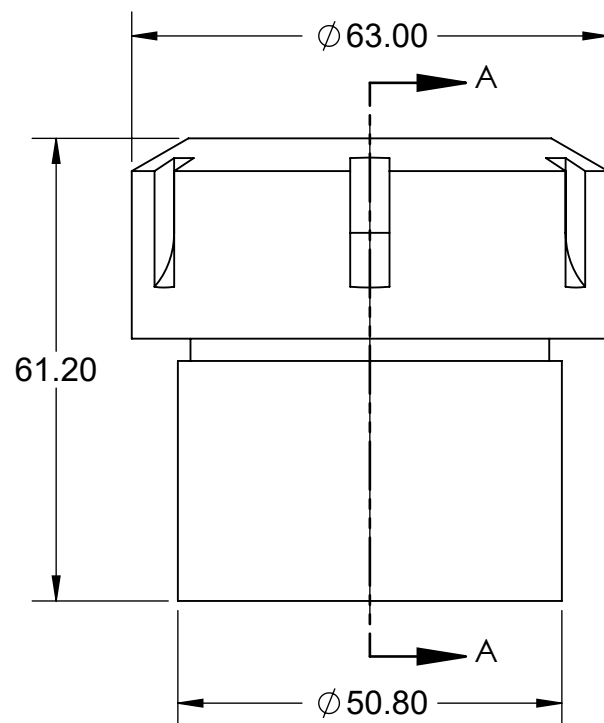


C

C

B

B



A

A

<b>MILLIMETER</b> <small>DRAWN IN ACCORDANCE WITH ASME Y14.5-2009</small>  <small>WWW.5THAXIS.COM</small>  <small>7140 ENGINEER ROAD SAN DIEGO, CA 92111</small>  <small>P (858) 505-0432 F (858) 505-9344</small>	<b>TOLERANCES</b> <small>UNLESS OTHERWISE SPECIFIED</small> x ± 0.1    .xx ± 0.01 .x ± 0.05    .xxx ± 0.005 ANGULAR ± 0.5° <small>THIRD ANGLE PROJECTION</small>			
	<small>DESCRIPTION</small> <b>ROUND BAR FIXTURE</b>	<small>SIZE</small> <b>B</b>	<small>PART NO.</small> <b>CERX-40</b>	<small>REV</small> <b>A</b>
<small>DO NOT SCALE DRAWING</small>		<small>SCALE 1:1</small>	<small>WEIGHT:</small>	<small>SHEET 1 OF 2</small>

8

7

6

5

4

3

2

1

8

7

6

5

4

3

2

1

D

D

C

C

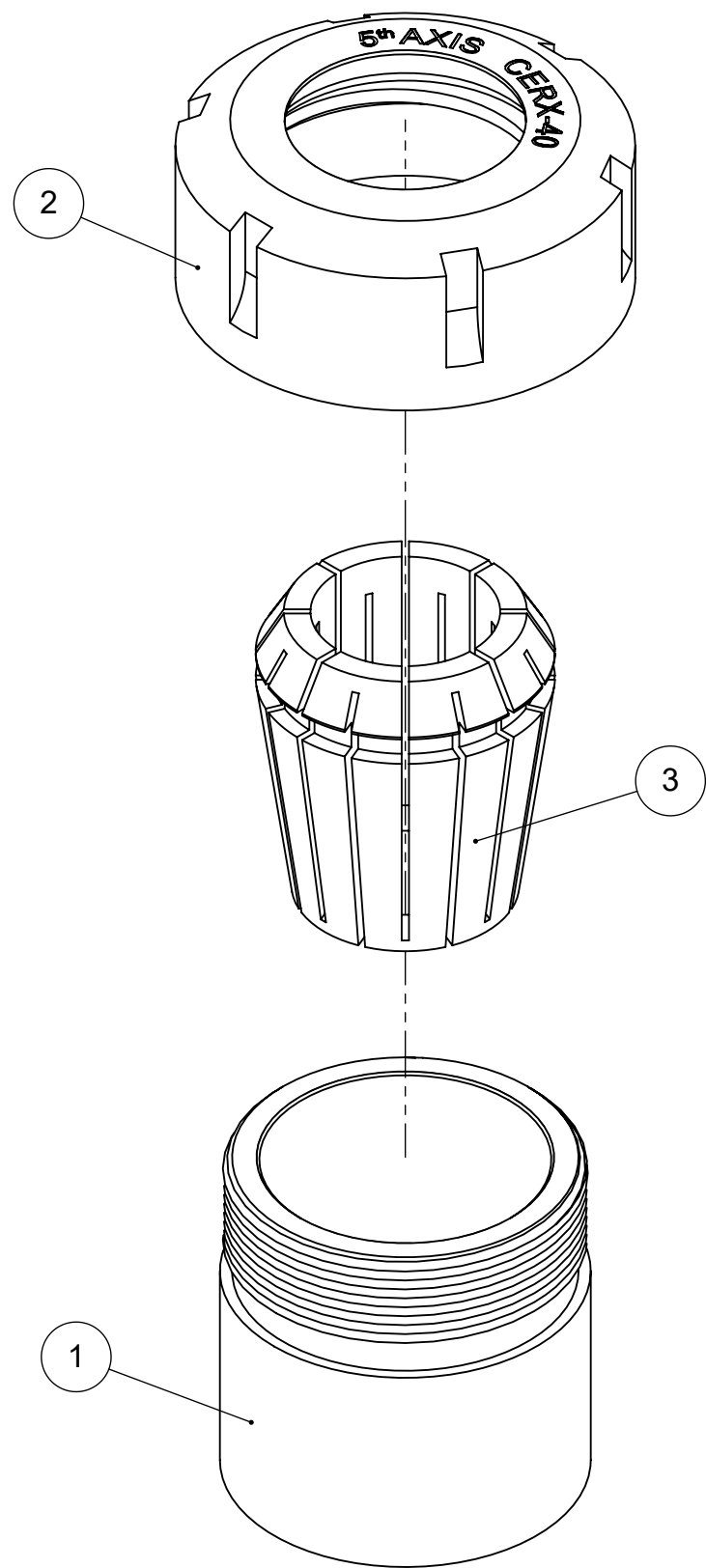
B

B

A

A

# CERX-40



ITEM NO.	PART NUMBER	DESCRIPTION	QTY.
1	CERX40-1	BODY	1
2	CERX40-2	NUT	1
3	TECHNIK 04240-26	COLLET	1
FOR REFERENCE ONLY - NOT FOR RESALE			

<b>MILLIMETER</b> <small>DRAWN IN ACCORDANCE WITH ASME Y14.5-2009</small>  <small>WWW.5THAXIS.COM</small>  <small>7140 ENGINEER ROAD SAN DIEGO, CA 92111</small>  <small>P (858) 505-0432 F (858) 505-9344</small>	<b>TOLERANCES</b> <small>UNLESS OTHERWISE SPECIFIED</small> x ± 0.1    .xx ± 0.01 .x ± 0.05    .xxx ± 0.005 ANGULAR ± 0.5° <small>THIRD ANGLE PROJECTION</small>		
		<b>DESCRIPTION</b> <b>ROUND BAR FIXTURE</b>	
<b>SIZE</b> <b>B</b> <b>PART NO.</b> <b>CERX-40</b> <b>REV</b> <b>A</b>		<small>DO NOT SCALE DRAWING</small>	<small>SCALE 1:1</small>
		<small>WEIGHT:</small>	<small>SHEET 2 OF 2</small>

8

7

6

5

4

3

2

1